

# Topworx™ TVF with LEDs

LED options for TVF Switchbox



## Expertise and innovation to deliver proven results. The Topworx TVF now available with LEDs.

The new LED option for the TVF switchbox features green and red LEDs for open and closed position indication. The TVF with LED option is just what you need to help improve visibility in your application. This switchbox can be ordered with a solenoid operated valve for a fully integrated solution. Call a TopWorx sales representative today to learn more about this exciting new feature.



\*3-pin Quick Disconnect not included

### Options:

LED available with the following switch options:

**QS-** Hermetically sealed SPDT GO Switches  
120vAc/24vDC; 0.25Amp - i.e. TVF-QS2GNMM

**RS-** Proximity Reed Switches  
120vAc/24vDC; 0.25Amp

**MS-** Mechanical SPDT Switches  
24v; 3 Watt max

### Demo kit:

Part #:TVF-MSWGNPM000007702  
with 3-pin QDC



Product with power pack for demonstration

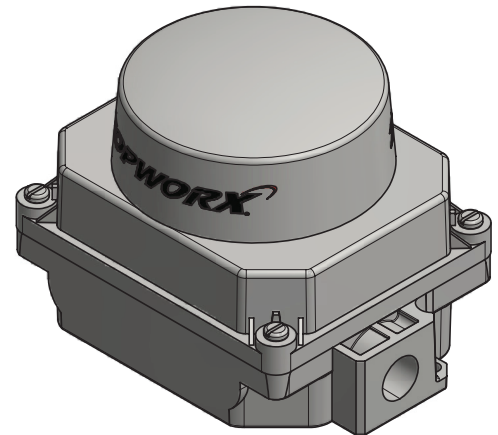
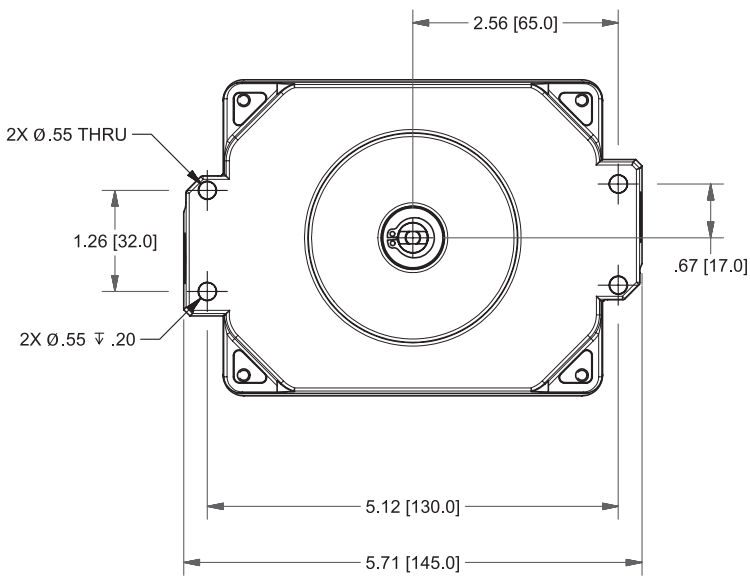
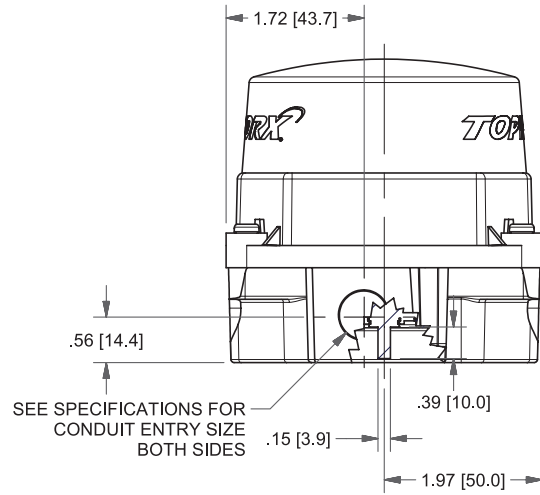
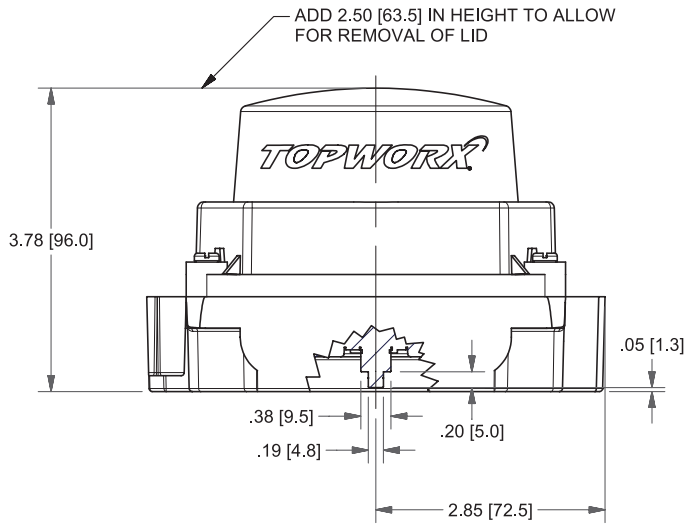
### Certification:

Intrinsically Safe  
Class I & II Div 1  
Ex ia IIC

Nonincendive  
Class I & II Div 2  
Ex nAnC IIC

UL General Purpose  
Type 4, 4x

# Dimensions



For more information:  
[www.Emerson.com/Topworx](http://www.Emerson.com/Topworx)

**TOPWORX™**



**CONSIDER IT SOLVED™**