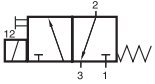


MH 311 313/MH 311 317



MH 311 313
MH 311 317



Direct acting 3/2-way solenoid valve equipped with mechanical spring return, normally closed.
Orifice size: 3 mm, max. pressure: 7 bar.

Port 2 is a banjo that can be screwed directly into the actuator that is to be controlled.

On request:

- Products with port 1 in NPT
- Products normally open
- 2/2-way version

Available with solenoid operators: 230V/50Hz, 24V/50Hz, 24V=.

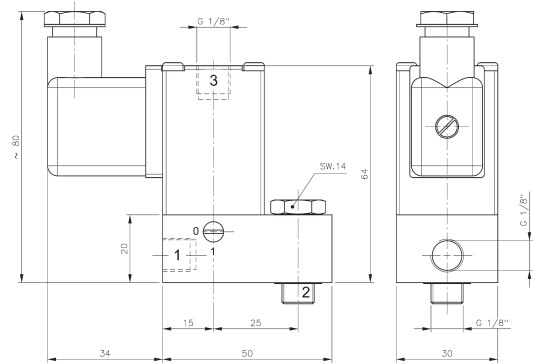
Valves are generally equipped with manual override.

Connector Industry B (22 mm). Flying leads on request.

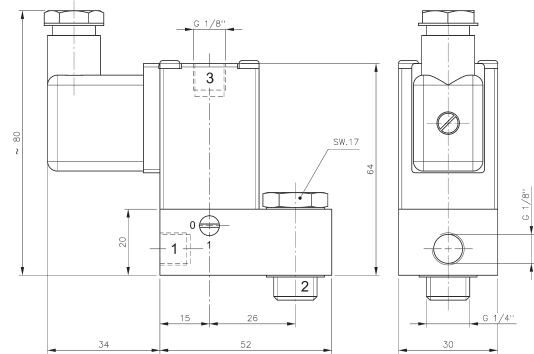
MH 311 313 and MH 311 317 are designed for piloting angle seat valves or small spring-return actuators.

When assembling this type of valve to a spring-return actuator, please take into consideration that there is no exhaust air recirculation ("purge").

Instead of the standard banjo-screw, the valve can also be equipped with a flow-regulating banjo-screw. Three different versions are available on request: Banjo-screw to regulate the opening speed, the closing speed as well as the opening and closing speed (not independent).



MH 311 313



MH 311 317



| Type | Function | Port | | | Air flow | Operating pressure | Power consumption | Weight |
|------------|----------|--------|---------|--------|-----------|--------------------|-------------------|---------|
| | | 1 | 2 banjo | 3 | | | | |
| MH 311 313 | n.c. | G 1/8" | G 1/8" | G 1/8" | 150 l/min | 0 - 7 bar | 7,5 W = /8,5 VA ~ | 0,21 kg |
| MH 311 317 | n.c. | G 1/8" | G 1/4" | G 1/8" | 150 l/min | 0 - 7 bar | 7,5 W = /8,5 VA ~ | 0,22 kg |