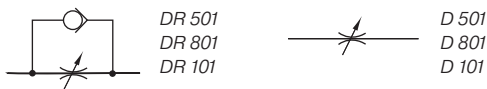


# DR 501/DR 801/DR 101 D 501/D 801/D 101



Block form flow regulator.

### Type DR

uni-directional block form flow regulator.

Air streaming in the direction of the throttle can be regulated by turning the spindle. In the opposite direction air streams unthrottled.

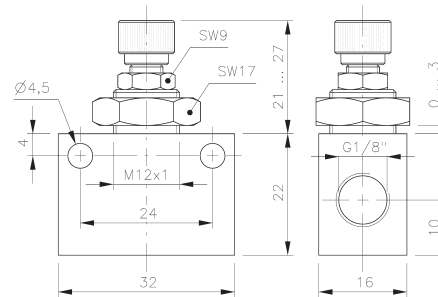
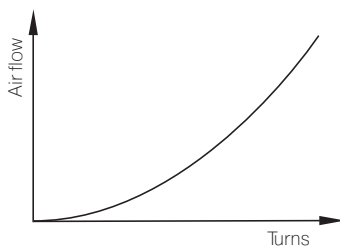
### Type D

bi-directional flow regulator. Air is regulated in both directions.

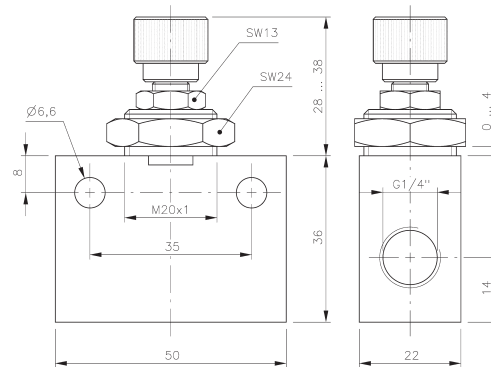
The throttle can be adjusted very precisely along the entire regulation range.

Adjustment can be locked.

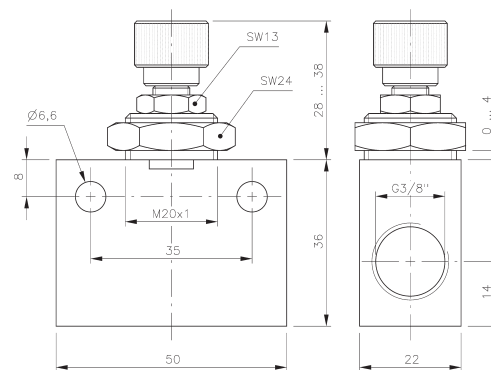
Suitable for wall and panel mounting.  
Nut is included.



**DR 501/D 501**



**DR 801/D 801**



**DR 101/D 101**

Type	Port size	Air flow*	Airflow in opposite direction*	Operating press.	Weight	
D 501	G 1/8"	450 l/min	450 l/min	0,5 - 10 bar	0,04 kg	❄️
D 801	G 1/4"	1150 l/min	1150 l/min	0,5 - 10 bar	0,13 kg	❄️
D 101	G 3/8"	1450 l/min	1450 l/min	0,5 - 10 bar	0,13 kg	
DR 501	G 1/8"	450 l/min	450 l/min	2 - 10 bar	0,04 kg	⚙️❄️
DR 801	G 1/4"	1150 l/min	1150 l/min	2 - 10 bar	0,13 kg	⚙️❄️
DR 101	G 3/8"	1450 l/min	1450 l/min	2 - 10 bar	0,13 kg	⚙️

\* Values at 10 bar inlet pressure and without back pressure.