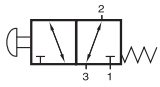
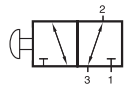


BH 311 401/BH 320 401 BH 311 701/BH 320 701



BH 311 401
BH 311 701



BH 320 401
BH 320 701



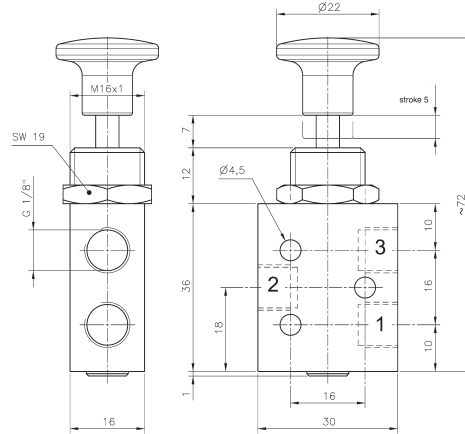
Manually actuated 3/2-way spool valve either with spring return to outer position (type 311) or with two stable positions (type 320).

If pressure is applied to port 1 the function is normally closed.
If pressure is applied to port 3 the function is normally open.

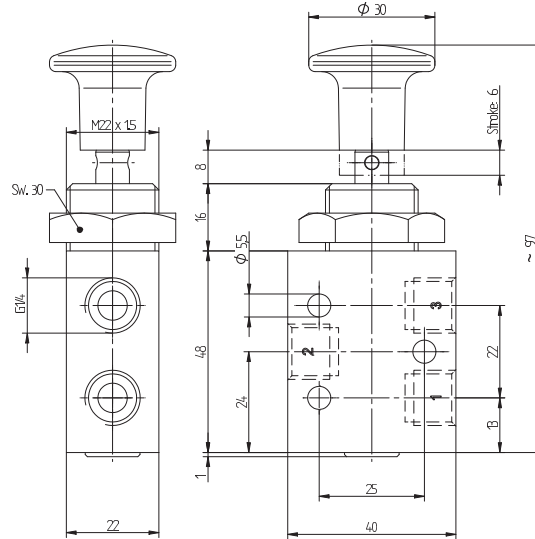
Exhaust can be throttled.

Suitable for wall or panel mounting. Nut for panel mounting, M16 x 1 for G 1/8"-valves or M22 x 1,5 for G 1/4"-valves is included.



Selected valves can be used for technical vacuum too.



BH 311 401/BH 320 401



BH 311 701/BH 320 701

Type	Port size	Air flow	Operating press.	Actuating force	Weight
BH 311 401	G 1/8"	450 l/min	1 - 10 bar	11 N	0,064 kg
BH 320 401	G 1/8"	450 l/min	1 - 10 bar	12 N	0,064 kg 
BH 311 701	G 1/4"	1250 l/min	-0,9 - 10 bar	17 N	0,140 kg 
BH 320 701	G 1/4"	1250 l/min	-0,9 - 10 bar	18 N	0,140 kg 