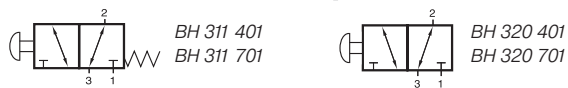


BH 311 401/BH 320 401 BH 311 701/BH 320 701



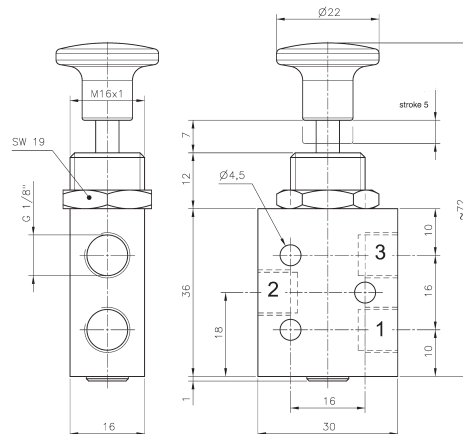
Manually actuated 3/2-way spool valve either with spring return to outer position (type 311) or with two stable positions (type 320).

If pressure is applied to port 1 the function is normally closed.
If pressure is applied to port 3 the function is normally open.

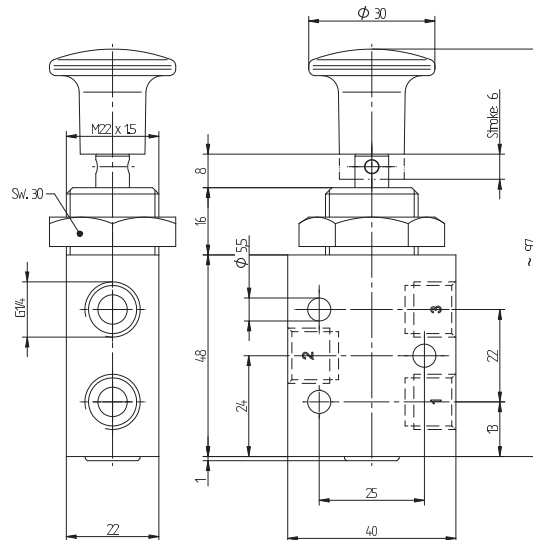
Exhaust can be throttled.

Suitable for wall or panel mounting. Nut for panel mounting, M16 x 1 for G 1/8"-valves or M22 x 1,5 for G 1/4"-valves is included.

Selected valves can be used for technical vacuum too.



BH 311 401/BH 320 401



BH 311 701/BH 320 701

| Type | Port size | Air flow | Operating press. | Actuating force | Weight |
|------------|-----------|------------|------------------|-----------------|--|
| BH 311 401 | G 1/8" | 450 l/min | 1 - 10 bar | 11 N | 0,064 kg |
| BH 320 401 | G 1/8" | 450 l/min | 1 - 10 bar | 12 N | 0,064 kg  |
| BH 311 701 | G 1/4" | 1250 l/min | -0,9 - 10 bar | 17 N | 0,140 kg  |
| BH 320 701 | G 1/4" | 1250 l/min | -0,9 - 10 bar | 18 N | 0,140 kg  |