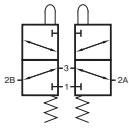
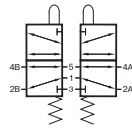


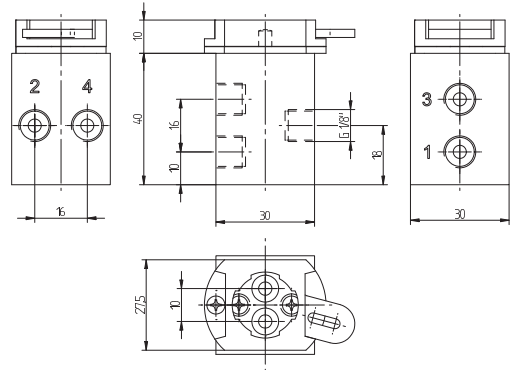
BA 430 301/ BA 730 301



BA 430 301



BA 730 301



BA 430 301

BA 430 301

4/3-way spool valve for panel mounting. Middle position exhausted. Typical application: for controlling two single-acting actuators.

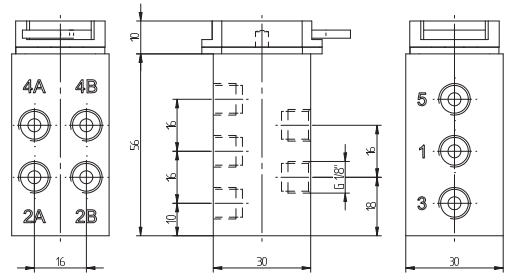
BA 730 301

7/3-way spool valve for panel mounting. Typical application: for controlling two double-acting actuators.

BA 334 01

3-position rotary lever long with detent.

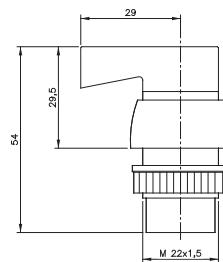
Please note: Although the valves have a mechanic spring inside, the actuator is with detent.



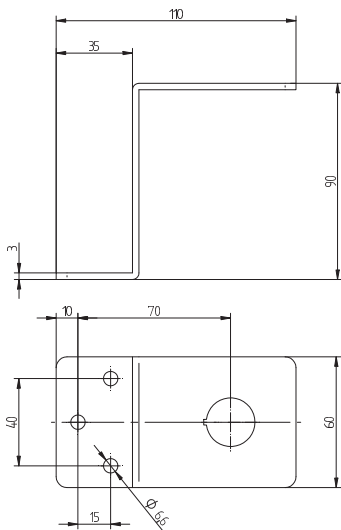
BA 730 301

BW BA 22

Mounting bracket to install a panel mounting valve without a control panel.



BA 334 01



BW BA 22

Type	Function	Port size	Air flow	Operating press.	Actuating force	Weight
BA 430 301	double 3/2-way	G 1/8"	280 l/min	-0,9 - 10 bar	14 N	0,110 kg
BA 730 301	double 5/2-way	G 1/8"	280 l/min	-0,9 - 10 bar	14 N	0,150 kg
BA 334 01	Rotary lever long	-	-	-	42 N/cm	0,021 kg
BW BA 22	Mounting bracket	-	-	-	-	0,265 kg