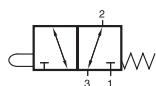
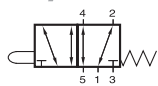


BAS 311 301/BAS 511 301



BAS 311 301



BAS 511 301



3/2-way and 5/2-way spool valves with mechanical spring for panel mounting.

Actuating elements are displayed on page 2.2.2.

Valves can be used with technical vacuum too.

Available on request: Valves based on series 401 (air-flow rate 450 l/min).

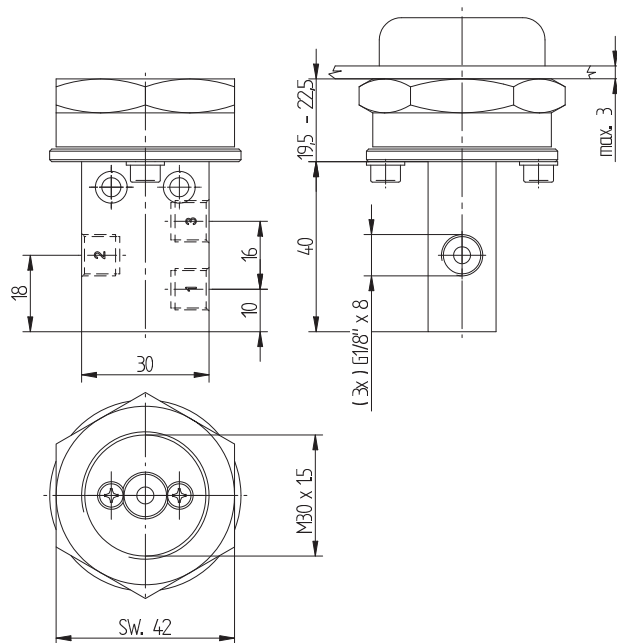
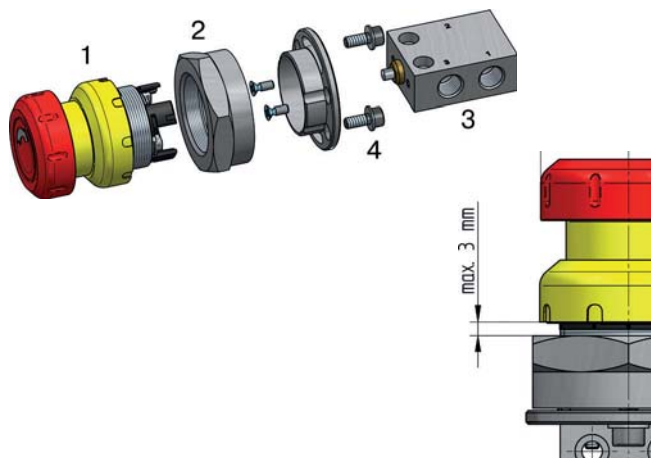
The valves can be also offered in a version for -40°C ... +65°C and for explosion hazardous environment zone 1, 2, 21 and 22. Please refer to page 2.12.2.1.

How to assemble the valve to the panel:

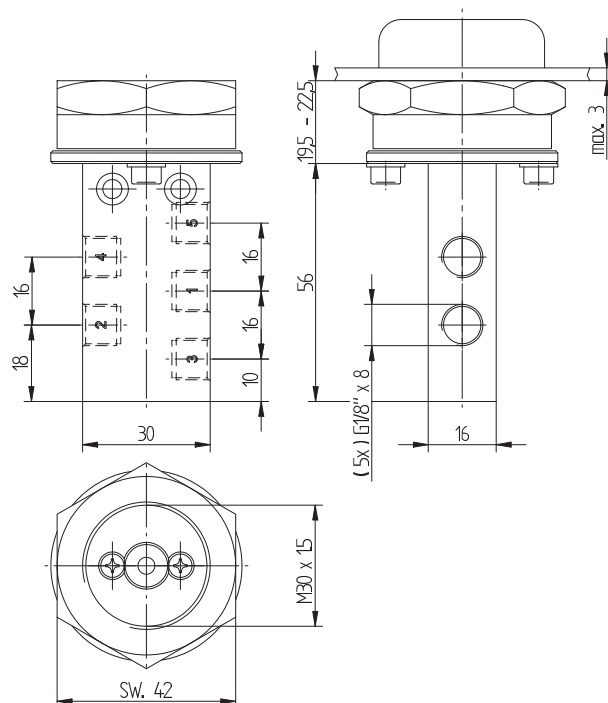
1. Insert the actuator (1) through the hole
2. Tighten the aluminum nut (2) firmly
3. Attach the valve (3) to the nut (2)
4. Fasten the valve with two screws (4)

Please note:

- The sheet thickness must not exceed 3 mm.
- Depending on the sheet thickness, a small gap may remain between the valve and the nut.



BAS 311 301



BAS 511 301

Type	Function	Port size	Air flow	Operating press.	Actuating force	Weight
BAS 311 301	3/2-way	G 1/8"	280 l/min	-0,9 - 10 bar	~ 14 N	0,08 kg
BAS 511 301	5/2-way	G 1/8"	280 l/min	-0,9 - 10 bar	~ 14 N	0,11 kg

