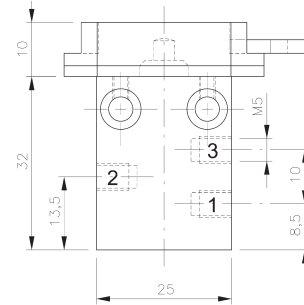
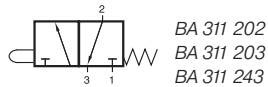
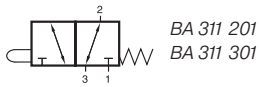
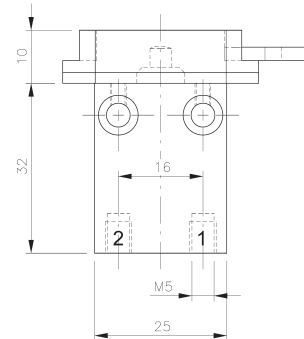


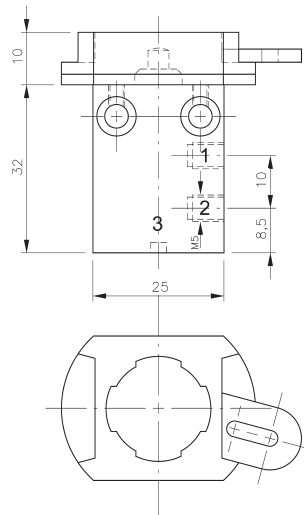
BA 311 201/BA 311 202/BA 311 203 BA 311 243/BA 311 301



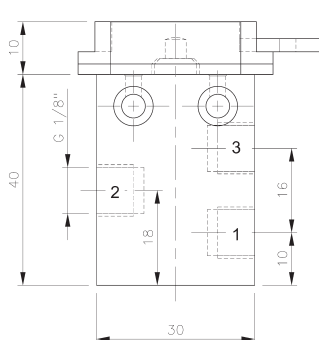
BA 311 201



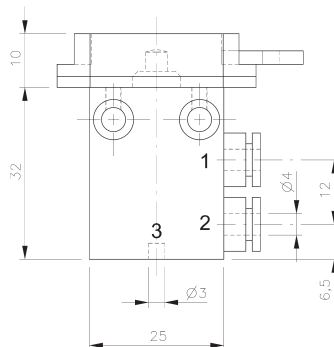
BA 311 202



BA 311 203



BA 311 301



BA 311 243

3/2-way spool valve with mechanical spring for panel mounting.

Valves with ports 1 - 3 on the side (type 201 and 301) are similar to those described on page 2. 1.1.1. and 2. 1.1.4.

For the valve with the ports on the bottom (type 202) please refer to page 2. 1.1.2.

Valves BA 311 203 and BA 311 243 have port 1 and 2 at one side and exhaust through the end-cap.

BA 311 243 offers 4 mm push-in fittings at ports 1 and 2.

Normally open versions of BA 311 203 and BA 311 243 can be delivered on request.

Actuating elements are displayed on page 2.2. 1.

Selected valves can be used for technical vacuum too.

Type	Port size	Air flow	Operating press.	Actuating force	Weight
BA 311 201	M5	125 l/min	-0,9 - 10 bar	14 N	0,043 kg
BA 311 202	M5	125 l/min	-0,9 - 10 bar	14 N	0,043 kg
BA 311 203	M5	125 l/min	-0,9 - 10 bar	14 N	0,043 kg
BA 311 243	pif 4 mm	125 l/min	-0,9 - 10 bar	14 N	0,043 kg
BA 311 301	G 1/8"	280 l/min	-0,9 - 10 bar	14 N	0,057 kg

