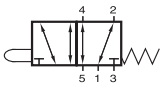
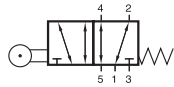


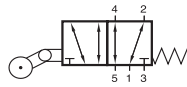
BV/BR/BL 511 301



BV 511 301



BR 511 301



BL 511 301

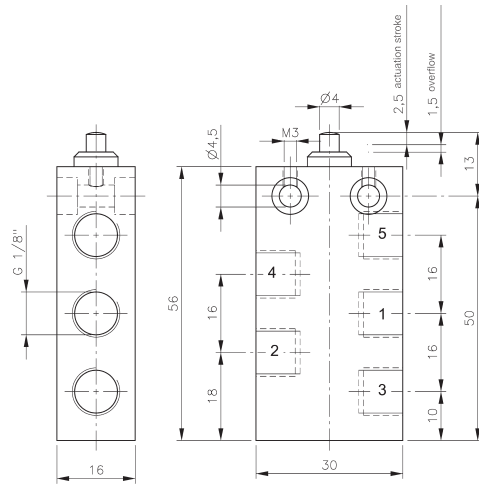


Mechanically actuated 5/2-way spool valve with mechanical spring.

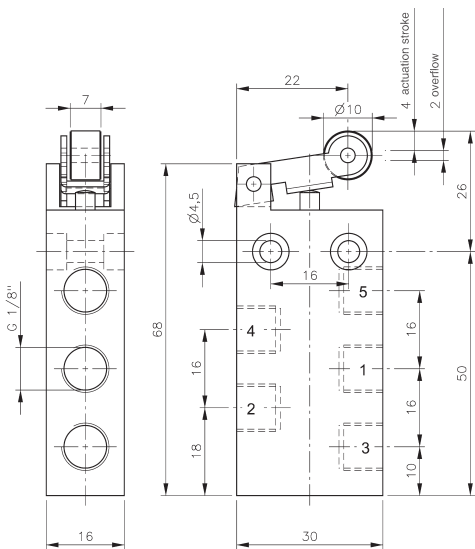
Normally open from 1 to 2 and from 4 to 5. Operated open from 1 to 4 and 2 to 3.

Exhaust can be throttled.

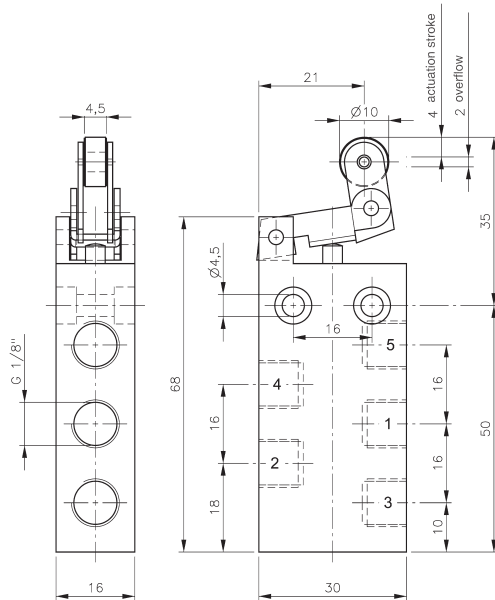
Valves can be used for technical vacuum too.



BV 511 301



BR 511 301



BL 511 301

Type	Port size	Air flow	Operating press.	Actuating force	Weight
BV 511 301	G 1/8"	280 l/min	-0,9 - 10 bar	14 N	0,065 kg
BR 511 301	G 1/8"	280 l/min	-0,9 - 10 bar	10 N	0,077 kg
BL 511 301	G 1/8"	280 l/min	-0,9 - 10 bar	10 N	0,079 kg