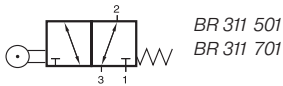


BR 311 501/BR 311 701



Heavy-duty 3/2-way roller-lever spool valve with mechanical spring, offering high air flow.

Lever-construction has proven capabilities in rough environmental applications for decades.

Lever is made from zinc plated steel.

If pressure is applied to port 1 the function is normally closed.
If pressure is applied to port 3 the function is normally open.

The use of the ports is interchangeable.

Exhaust can be throttled.

On request:

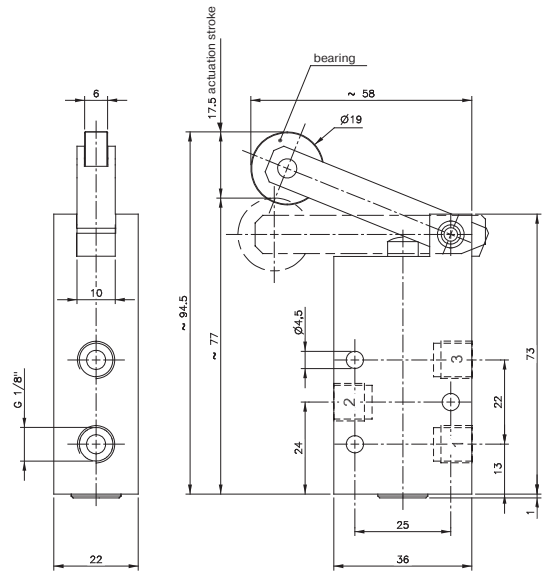
Roller-lever valves with idle return.

Low temperature version:

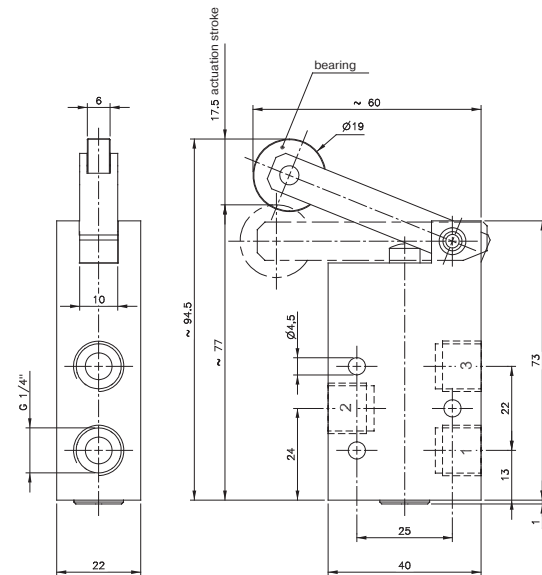
In this case the ports are not interchangeable, standard:

Pressure at port 1 = normally closed, normally open version to be ordered separately.

Valves can be used for technical vacuum too.

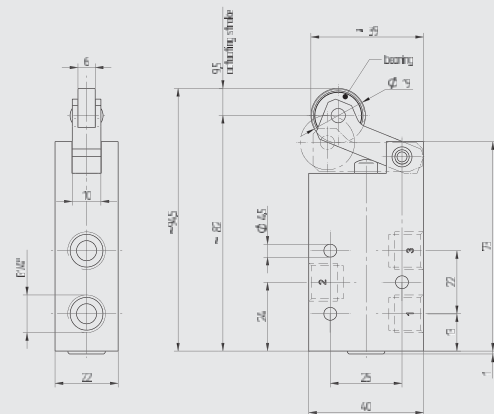


BR 311 501



BR 311 701

Also available with a short stainless steel lever. Actuating force is around 9 N.



Type	Port size	Air flow	Operating press.	Actuating force	Weight
BR 311 501	G 1/8"	650 l/min	1 - 10 bar	3,5 N	0,19 kg
BR 311 701	G 1/4"	1250 l/min	1 - 10 bar	3,5 N	0,20 kg

