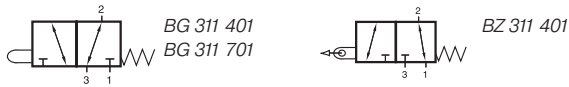


BG 311 401/BG 311 701



BG 311 401 stem actuated 3/2-way spool valve with mechanical spring, G 1/8".

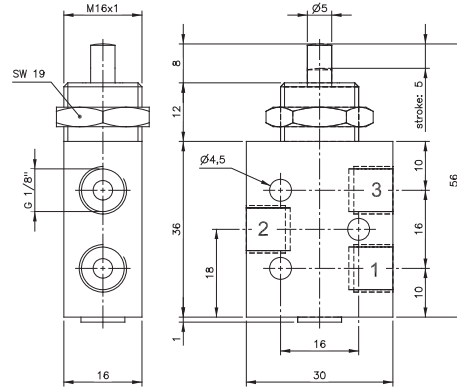
BG 311 701 heavy duty stem actuated 3/2-way spool valve with mechanical spring, G 1/4".

If pressure is applied to port 1 the function is normally closed.
If pressure is applied to port 3 the function is normally open.

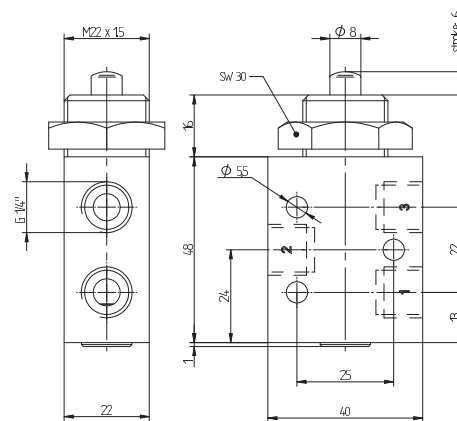
Suitable for wall or panel mounting. Nut for panel mounting M16 x 1 for G 1/8"-valves or M22 x 1,5 for G 1/4"-valves are included.

The use of the ports is interchangeable.

Exhaust can be throttled.



BG 311 401



BG 311 701

Type	Actuation	Port size	Air flow	Operating press.	Actuating force	Weight
BG 311 401	push	G 1/8"	450 l/min	2 - 10 bar	11 N	0,56 kg
BG 311 701	push	G 1/4"	1250 l/min	1 - 10 bar	17 N	0,13 kg

