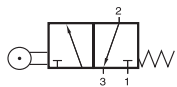
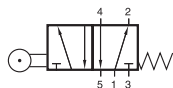


BR 311 501 VES/BR 511 701 VES



BR 311 501 VES



BR 511 701 VES



Mechanically actuated roller-lever spool valve with mechanical spring.

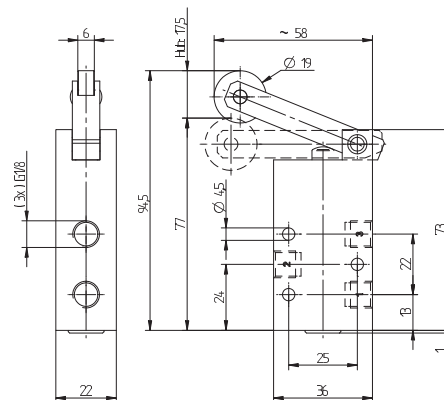
BR 311 501 VES 3/2-way n.c.

BR 511 701 VES 5/2-way

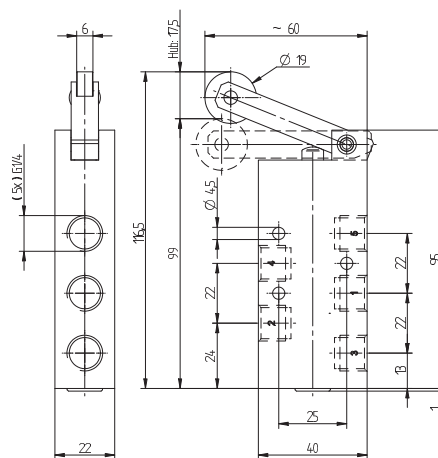
Exhaust can be throttled.

Due to the specific design of the internal parts pressure has to be applied to port 1. For other versions please contact the manufacturer.

Also available with a short stainless steel lever.



BR 311 501 VES



BR 511 701 VES

Type	Port size	Air flow	Operating press.	Actuating force	Weight
BR 311 501 VES	G 1/8"	650 l/min	1 - 10 bar	5 N	0,45 kg
BR 511 701 VES	G 1/4"	1250 l/min	1 - 10 bar	5 N	0,55 kg