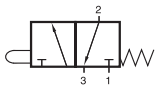
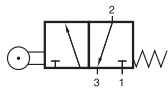


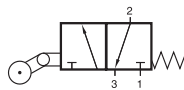
BV/BR/BL 311 202



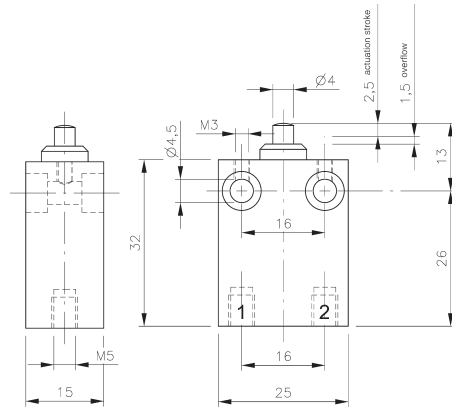
BV 311 202



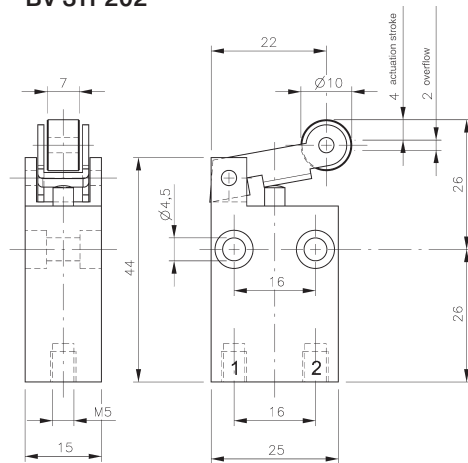
BR 311 202



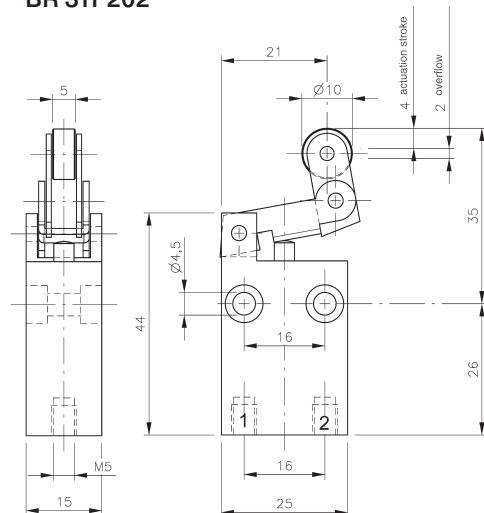
BL 311 202



BV 311 202



BR 311 202



BL 311 202

Mechanically actuated 3/2-way spool valve with mechanical spring.

All ports are at the bottom of the valve.

Function is normally closed. When operated the valve opens from 1 to 2.

Exhaust through stem.

Normally open versions can be delivered on request.

Valves can be used for technical vacuum too.

Type	Port size	Air flow	Operating press.	Actuating force	Weight
BV 311 202	M5	115 l/min	-0,9 - 10 bar	14 N	0,033 kg
BR 311 202	M5	115 l/min	-0,9 - 10 bar	9 N	0,041 kg
BL 311 202	M5	115 l/min	-0,9 - 10 bar	9 N	0,044 kg