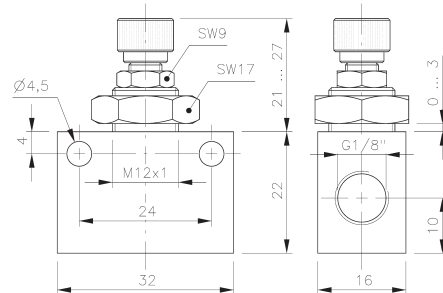
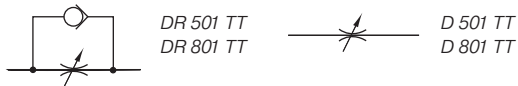
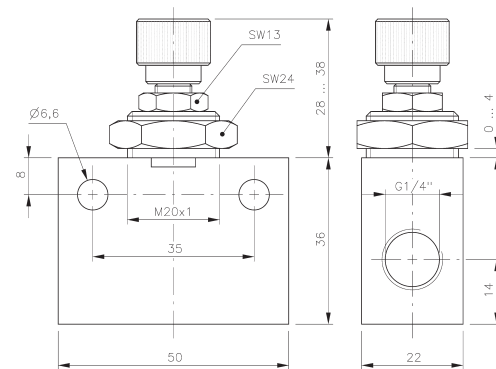


# DR 501 TT/DR 801 TT/D 501 TT/D 801 TT



**DR 501 TT/D 501 TT**



**DR 801 TT/D 801 TT**

Block form flow regulator for low temperature environment  
-50°C to +50°C.

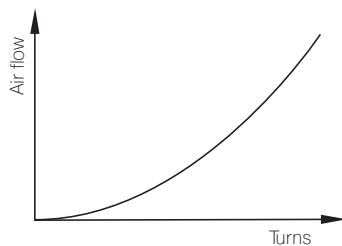
Type DR  
uni-directional block form flow regulator.  
Air streaming in the direction of the throttle can be regulated  
by turning the spindle. In the opposite direction air streams  
unthrottled.

Type D  
bi-directional flow regulator. Air is regulated in both directions.

The throttle can be adjusted very precisely along the entire  
regulation range.

Adjustment can be locked.

Suitable for wall and panel mounting.  
Nut is included.



Type	Port size	Air flow*	Airflow in opposite direction*	Operating press.	Weight
D 501 TT	G 1/8"	450 l/min	450 l/min	0,5 - 10 bar	0,04 kg
D 801 TT	G 1/4"	1150 l/min	1150 l/min	0,5 - 10 bar	0,13 kg
DR 501 TT	G 1/8"	450 l/min	450 l/min	2 - 10 bar	0,04 kg
DR 801 TT	G 1/4"	1150 l/min	1150 l/min	2 - 10 bar	0,13 kg

\* Values at 10 bar inlet pressure and without back pressure.