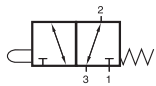
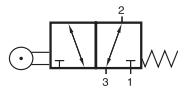


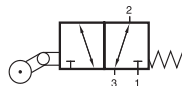
BV/BR/BL 311 201



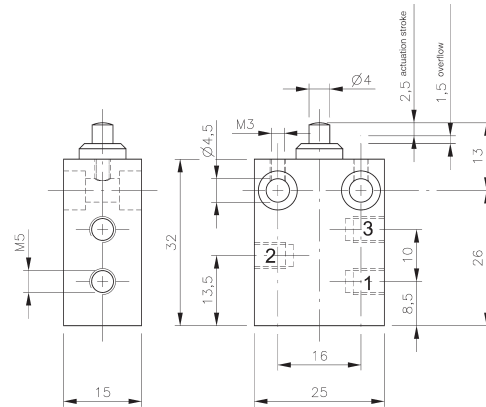
BV 311 201



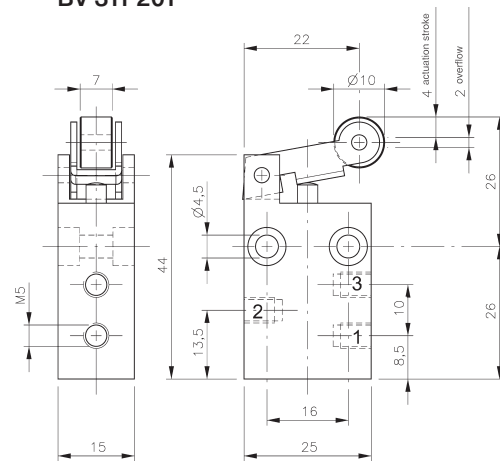
BR 311 201



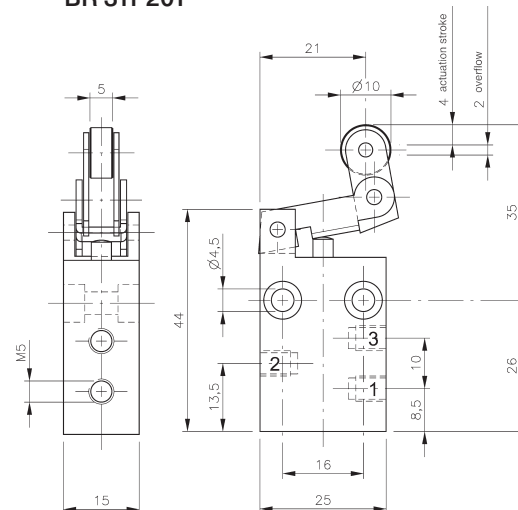
BL 311 201



BV 311 201



BR 311 201



BL 311 201

Mechanically actuated 3/2-way spool valve with mechanical spring. All ports are on the side of the valve.

If pressure is applied to port 1 the function is normally closed.
If pressure is applied to port 3 the function is normally open.

The use of the ports is interchangeable.

Exhaust can be throttled.

Valves can be used for technical vacuum too.

| Type | Port size | Air flow | Operating press. | Actuating force | Weight |
|------------|-----------|-----------|------------------|-----------------|----------|
| BV 311 201 | M5 | 125 l/min | -0,9 - 10 bar | 14 N | 0,033 kg |
| BR 311 201 | M5 | 125 l/min | -0,9 - 10 bar | 9 N | 0,041 kg |
| BL 311 201 | M5 | 125 l/min | -0,9 - 10 bar | 9 N | 0,044 kg |