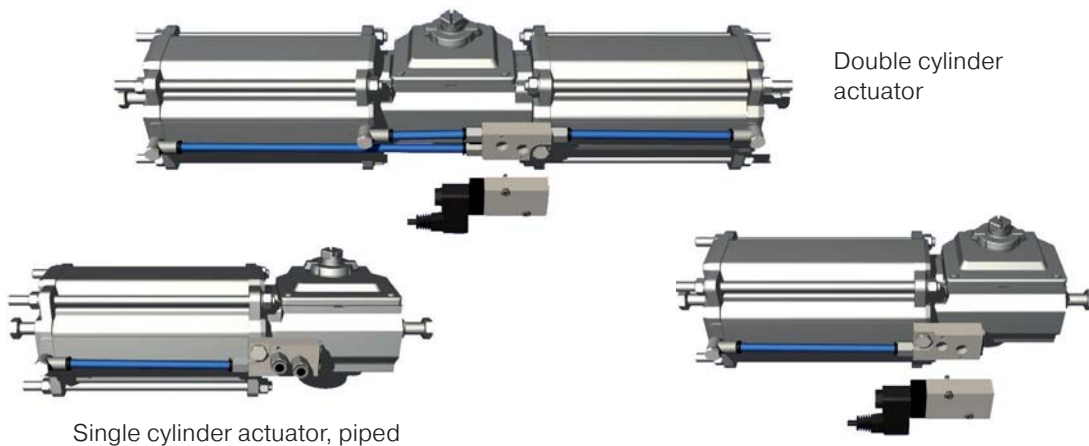


ZVPS 701/ZVPS 101/ZVPS 121

Plates for cylinder-valve combinations – 2. for scotch-yoke actuators



Double cylinder actuator

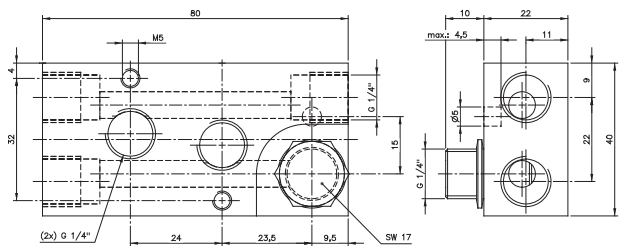
Single cylinder actuator, piped

Single cylinder actuator, NAMUR

Plates to combine NAMUR-valves with scotch-yoke-actuators.

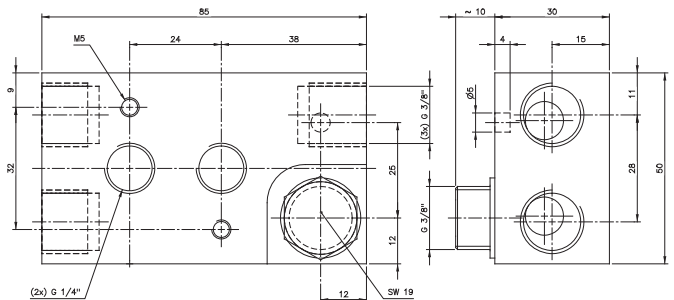
The plates can be attached to different actuators, independent on their stroke.

ZVPS 701 to be assembled onto an actuator with G 1/4" ports. Designed for an orifice size 7 mm in combination with e.g. MNH 510 711.



ZVPS 701

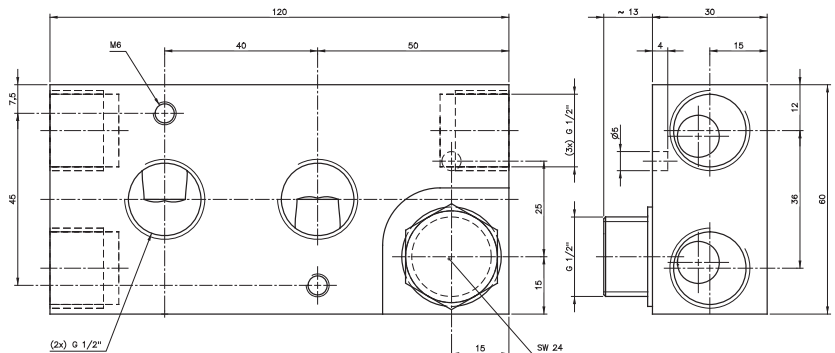
ZVPS 101 to be assembled onto an actuator with G 3/8" ports. Designed for an orifice size 10 mm in combination with e.g. MNH 510 101.



ZVPS 101

ZVPS 121 to be assembled onto an actuator with G 1/2" ports. Designed for an orifice size 12 mm in combination with e.g. MNH 510 121.

Delivery contains the plate and the banjo for one port. Straight male fittings and rotating elbow fittings to make the other connection can be supplied on request.



ZVPS 121

Type	Port A	Port B	Port C + O	NAMUR	Orifice	Weight
ZVPS 701	Banjo G 1/4"	G 1/4"	G 1/4"	1/4"	7 mm	0,35 kg
ZVPS 101	Banjo G 3/8"	G 3/8"	G 1/4"	1/4"	10 mm	0,40 kg
ZVPS 121	Banjo G 1/2"	G 1/2"	G 1/2"	1/2"	12 mm	0,45 kg