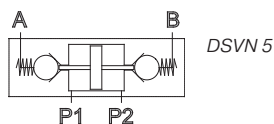


DSVN 5

Pressure holding valve



Pressure holding valve to hold a double acting actuator at the current position in case of cut-off of pressure supply.

The valve is consisting of two non-return valves which will be unlocked by pressurising port P1 or P2.

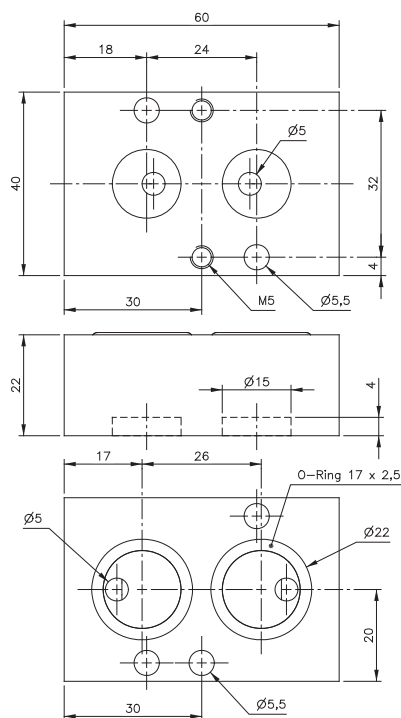
Installation between pilot valve and actuator.

Inner parts are made from brass and POM, seals are made from NBR.

If the valve is required with G 1/4" ports, plate GPN 1/4 can be added.

For details please refer to page 2.11.13.

Delivery includes 1 pin, 2 screws, 2 O-rings.



DSVN 5

Type	NAMUR	Air flow P to A/B	Air flow A/B to P	Operating pressure	Weight
DSVN 5	1/4"	230 l/min	360 l/min	1 - 10 bar	0,10 kg