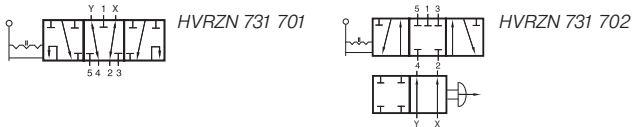


HVRZN 731 701/HVRZN 731 702

Pneumo-manual override valve for positioners



Lever valve for direct assemblage to an actuator with 1/4" NAMUR-interface.

Valves offer the possibility to override a positioner.

Version 731 701:

Normally the lever is in the middle position and the actuator is piloted by the positioner. In this position the valve just feeds the signals from the positioner through to the actuator. In case of electric / electronic problems the actuator can be opened or closed manually.

Advantages of version 701 :

Only one lever to manipulate (no second actuation elements). Overrides in manual mode the positioner, manual mode and automatic mode truly independent.

Version 731 702:

If the knob is pushed, air flows from the positioner from Y to 4 and from X to 2.

If the knob is pulled valve is in manual mode.

The lever valve is to be used as a centre closed 5/3-way valve, actuator can be fully opened, fully closed or put into intermediate position.

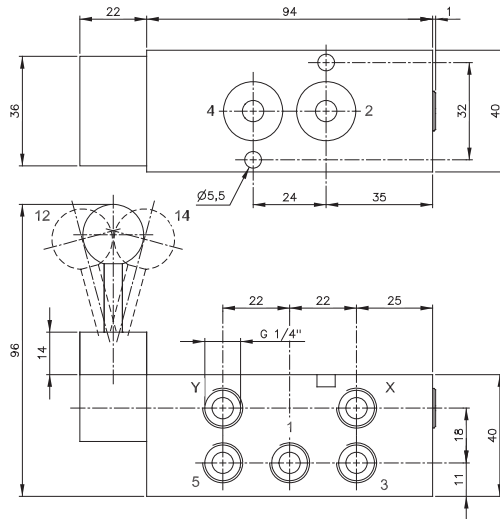
Advantage of version 702:

Offers in manual mode a centre closed 5/3-way-valve. Version 701 is in manual mode a 5/2-way-valve.

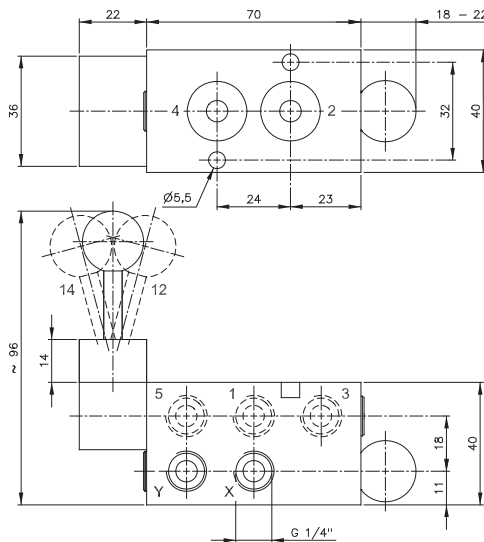
Safety lever:

In order to avoid unintended manual actuation the lever of both versions has to be pulled thoroughly for being manipulated out of central position.

Delivery includes 2 screws, 2 O-rings.



HVRZN 731 701



HVRZN 731 702

Type	Function	Port size	Air flow	Operating press.	Actuating force	Weight
HVRZN 731 701	5/2-way indexed	G 1/4"	1250 l/min	1 - 10 bar	~ 25 N	0,53 kg
HVRZN 731 702	5/3-way indexed	G 1/4"	1250 l/min	1 - 10 bar	~ 25 N	0,45 kg