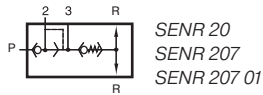
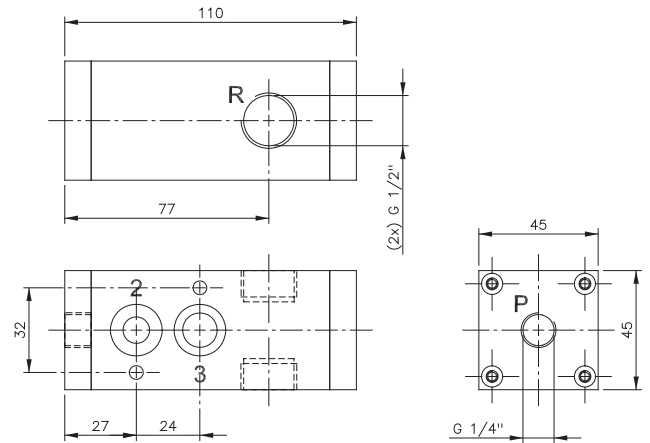


SENR 20/SENR 207/SENR 207 01

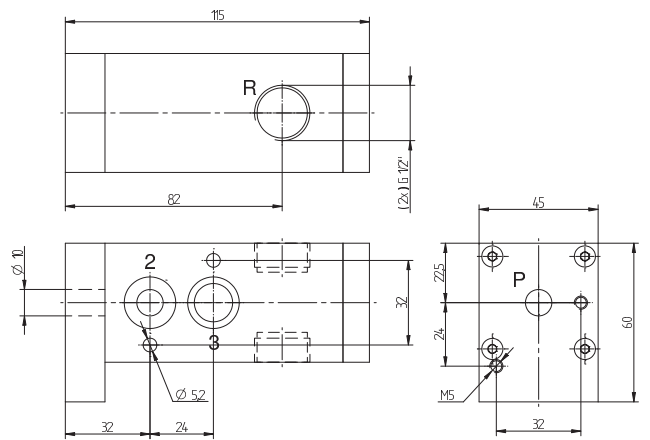
Quick-exhaust-block with non-return valve



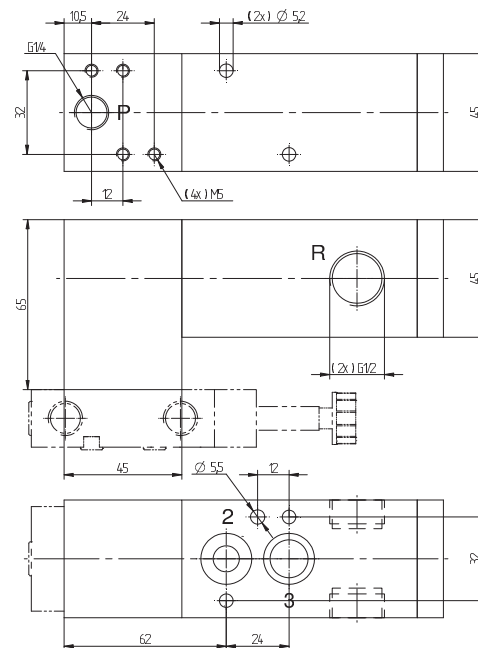
SENR 20
SENR 207
SENR 207 01



SENR 20



SENR 207



SENR 207 01

The valve is designed for fast closing of spring-return actuators with 1/4" NAMUR-interface.

Any 3/2-way valve can be used as pilot valve. The connection towards the pilot valve is either G 1/4" ported (type SENR 20) or for NAMUR-valves with the 1/4" NAMUR-interface (SENR 207/ SENR 207 01).

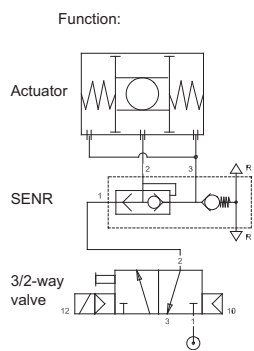
The block assures that only compressed air that has been used to open the actuator is used in the spring-chamber (non-return-function). Excess air is released very fast by the quick-exhaust valve, exhaust-port G 1/2", orifice 10 mm. The non-return valve makes absolutely sure that no ambient atmosphere can be sucked into the actuator.

Two exhaust-ports R allow that the product can always be assembled so the silencer faces downwards.

Delivery includes 2 screws, 2 O-rings, 1/2" plug for port R.

Special solution (SENR 207 01):

Quick-exhaust block for external piping and universal NAMUR-valve mounting.



Type	NAMUR	Port P	Port R	Air flow P to 2	Air flow exhaust	Operating press.	Weight
SENR 20	1/4"	G 1/4"	G 1/2"	1250 l/min	2500 l/min	2 - 10 bar	0,54 kg
SENR 207	1/4"	1/4" NAMUR	G 1/2"	1250 l/min	2500 l/min	2 - 10 bar	0,56 kg
SENR 207 01	1/4"	G 1/4" - 1/4" NAMUR	G 1/2"	1250 l/min	2500 l/min	2 - 10 bar	0,85 kg