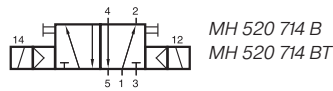
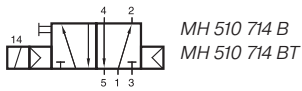


# MH 510 714 B/MH 510 714 BT MH 520 714 B/ MH 520 714 BT



5-way solenoid valve with standardized interface which is widely used in packaging machines for bulk materials such as cement.

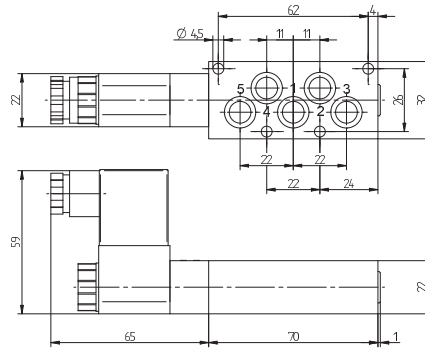
Type 510 5/2-way single solenoid, with air spring return  
Type 520 5/2-way double solenoid, actuated by impulse

Type B For manifold assembly  
Type BT For valve terminal assembly, including intermediate plate type ZP 714 BT

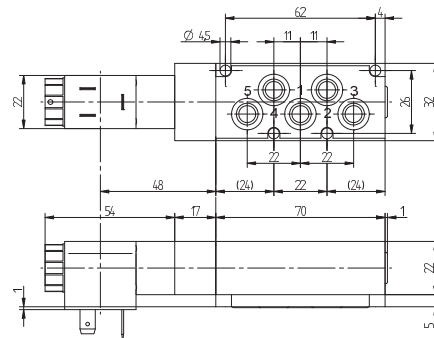
Available with solenoid operators:  
230V/50Hz, 110V/50Hz, 48V/50Hz, 24V/50 Hz, 24V=, 12V=.

Valves are generally equipped with manual override.

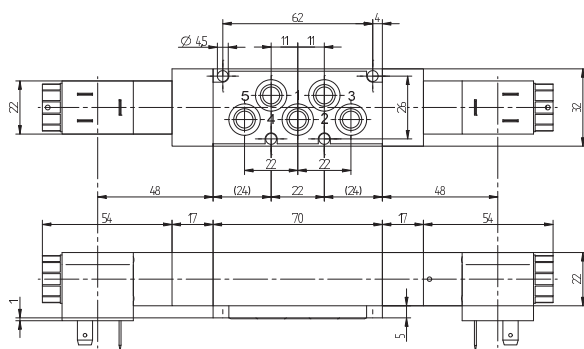
Mounting screws and seals are included.



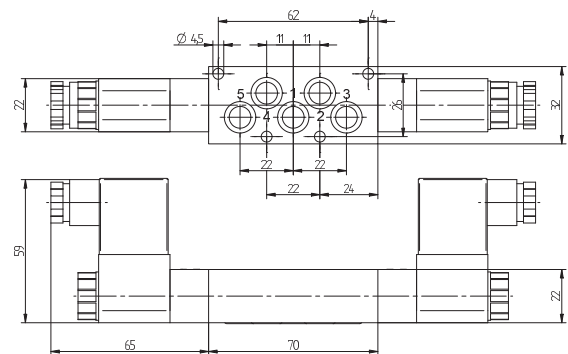
**MH 510 714 B**



**MH 510 714 BT**



**MH 520 714 BT**



**MH 520 714 B**

Type	Usage	Port size	Air flow	Operating press.	Power cons.	Weight
MH 510 714 B	Manifold	Ø 7 mm	1250 l/min	2 - 10 bar	3 W = / 5 VA ~	0,20 kg
MH 520 714 B	Manifold	Ø 7 mm	1250 l/min	2 - 10 bar	3 W = / 5 VA ~	0,29 kg
MH 510 714 BT	Valve Terminal	Ø 7 mm	1250 l/min	2 - 10 bar	3 W = / 5 VA ~	0,30 kg
MH 520 714 BT	Valve Terminal	Ø 7 mm	1250 l/min	2 - 10 bar	3 W = / 5 VA ~	0,44 kg