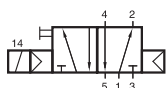
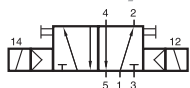


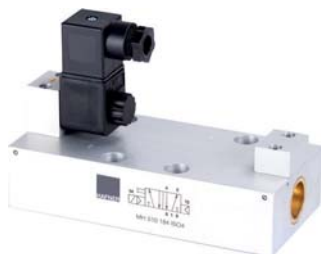
MH 510 184 ISO4/MH 520 184 ISO4



MH 510 184 ISO4



MH 520 184 ISO4



5-way solenoid valve according to ISO 5599-1 size ISO 4.

Type 510 5/2-way single solenoid, with air spring return
 Type 520 5/2-way double solenoid, actuated by impulse

5/3-way centre closed available on request.

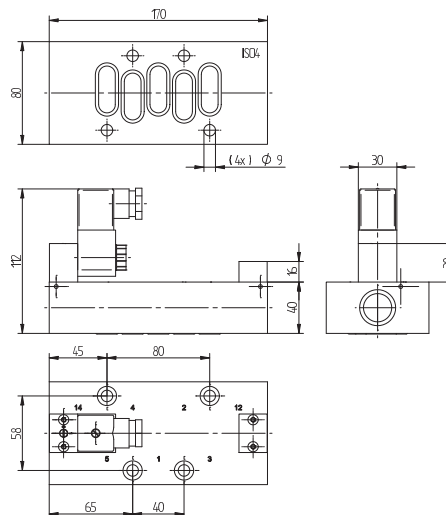
Valves can be used with industryform B coils (22 mm) type MA 22 displayed on page 2. 14.2 as well as Form A coils (30 mm) type MA 30 S9 displayed on page 2. 14.4.

Available with solenoid operators:
 230V/50Hz, 110V/50Hz, 48V/50Hz, 24V/50 Hz, 24V=, 12V=.

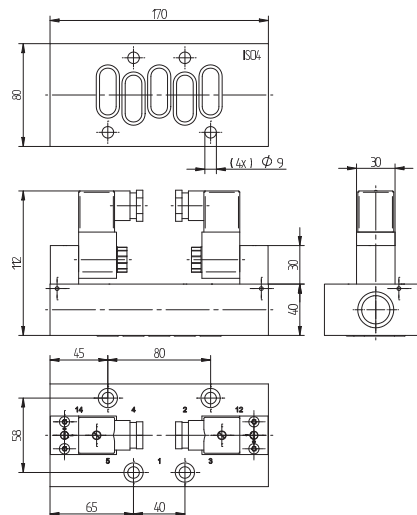
Valves are generally equipped with manual override.

Mounting screws and seals are included.

Manifolds are displayed on the next page.



MH 510 184 ISO4



MH 520 184 ISO4

Type	Port size	Air flow	Operating press.	Power consumption		Weight
				With MA 22 coils	With MA 30 S9 coils	
MH 510 184 ISO4	Ø 18 mm	6000 l/min	1 - 10 bar	3 W = / 5 VA ~	2 W = / 3 VA ~	1,55 kg
MH 520 184 ISO4	Ø 18 mm	6000 l/min	1 - 10 bar	3 W = / 5 VA ~	2 W = / 3 VA ~	1,70 kg