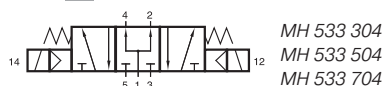
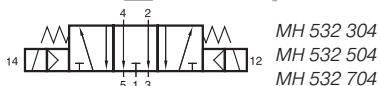
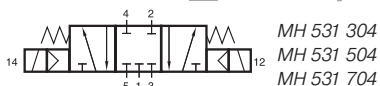


# MH 53\_304/MH 53\_504/MH 53\_704



5/3-way solenoid valve with spring return to middle position, actuated by permanent signal. All the ports are in the plate.

- Type 531 centre closed
- Type 532 centre exhausted
- Type 533 centre pressurised

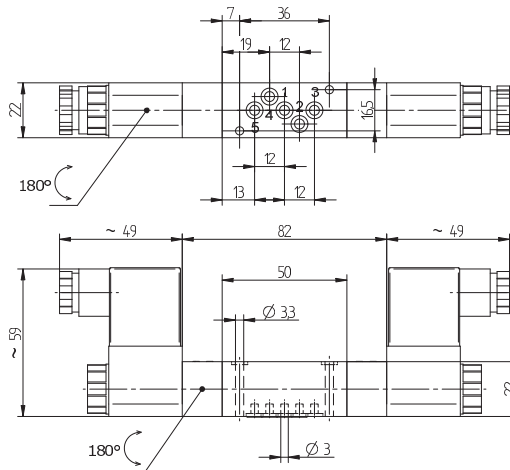
When ordering please complete the type number by 1, 2 or 3 according to the type required.

Available with solenoid operators:  
230V/50Hz, 110V/50Hz, 24V/50Hz, 48V=, 24V=, 12V=.

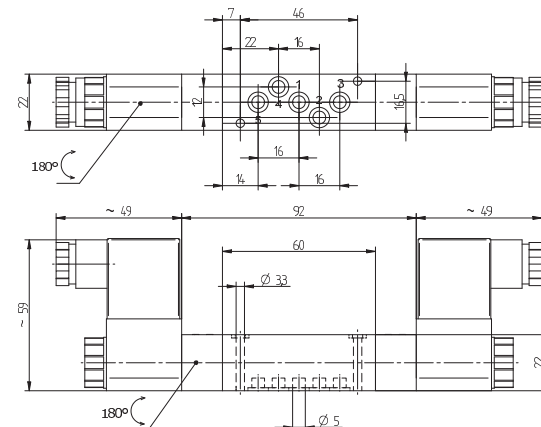
Valves are generally equipped with manual override.  
If requested without manual override please order M 53\_ \_\_\_ (please add 1 digit for type and 3 for size).

Manifolds for valves type 304 and 504 are displayed on page 2.7.2.7. Manifolds for valves type 704 are displayed on page 2.7.2.8 and 2.7.2.9.

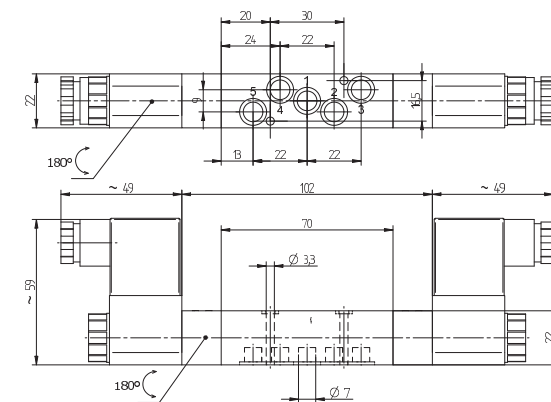
Blanking plates are also available:  
Type no. BP 5 304, BP 5 504 or BP 5 704.  
Mounting screws and seals are included.



**MH 53\_304**



**MH 53\_504**



**MH 53\_704**

Type	Port size	Air flow	Operating press.	Power consumption	Weight
MH 53_304	Ø 3 mm	220 l/min	3 - 10 bar	3 W = / 5 VA ~	0,25 kg
MH 53_504	Ø 5 mm	650 l/min	3 - 10 bar	3 W = / 5 VA ~	0,27 kg
MH 53_704	Ø 7 mm	1250 l/min	3 - 10 bar	3 W = / 5 VA ~	0,29 kg

