

MH 510 304/MH 510 504/MH 510 704



MH 510 304
MH 510 504
MH 510 704



5/2-way solenoid valve actuated by permanent signal and equipped with air spring return. All the ports are in the plate.

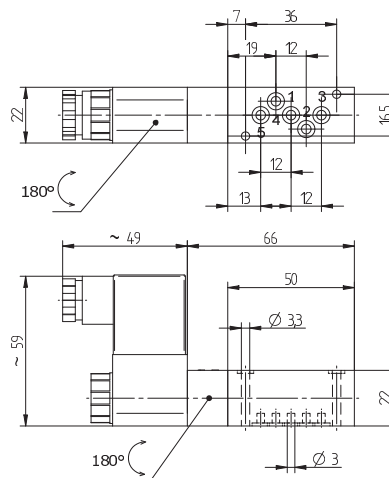
Available with solenoid operators:
230V/50Hz, 110V/50Hz, 24V/50Hz, 48V=, 24V=, 12V=.

Valves are generally equipped with manual override.
If requested without manual override please order M 510 _ _ _ _.

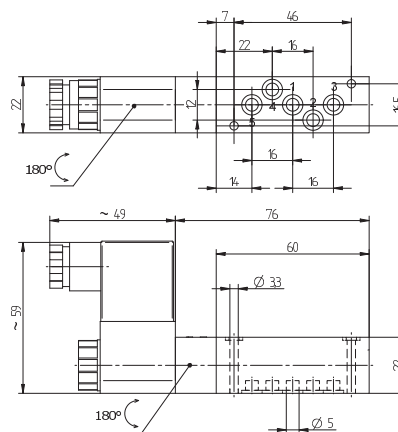
Manifolds for valves type 304 and 504 are displayed on page 2.7.2.7. Manifolds for valves type 704 are displayed on page 2.7.2.8 and 2.7.2.9.

Blanking plates are also available type BP 5 304, BP 5 504 or BP 5 704.

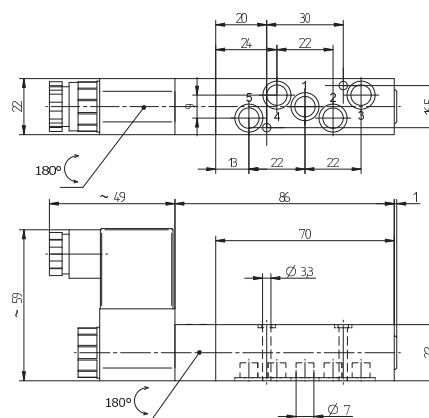
Mounting screws and seals are included.



MH 510 304



MH 510 504



MH 510 704

Type	Port size	Air flow	Operating press.	Power cons.	Weight
MH 510 304	Ø 3 mm	220 l/min	2 - 10 bar	3 W = / 5 VA ~	0,18 kg
MH 510 504	Ø 5 mm	650 l/min	2 - 10 bar	3 W = / 5 VA ~	0,19 kg
MH 510 704	Ø 7 mm	1250 l/min	2 - 10 bar	3 W = / 5 VA ~	0,20 kg

