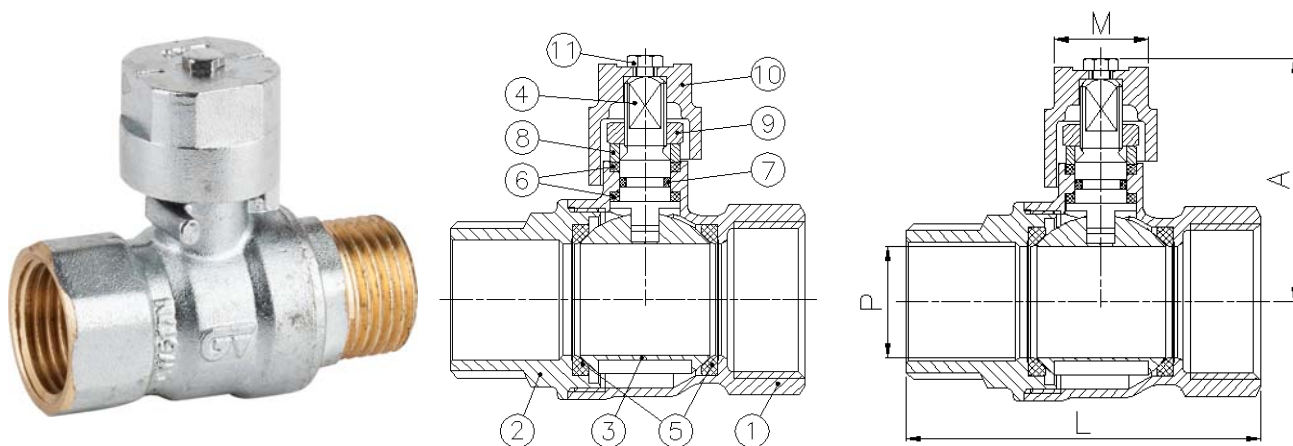


Art.: 3085

Válvula de esfera M-H mando cuadradillo / Square handle ball valve M-F

| Características | Features |
|--|---|
| 1. Válvula de esfera con paso total. | 1. Ball valve with full bore. |
| 2. Construcción en latón según UNE-EN 12165 cromado. | 2. Brass according to UNE-EN 12165 chrome plated. |
| 3. Extremos roscados gas (BSP) M-H s/ ISO 228/1. | 3. Thread ends gas (BSP) M-F acc/ ISO 228/1. |
| 4. Accionamiento mediante cuadradillo. | 4. Working by means of square handle. |
| 5. Temperatura de trabajo desde -20°C a 110°C. | 5. Working temperature from -20°C to 110°C. |
| 6. Presión máxima de trabajo 25 bar (PN 25). | 6. Maximum working pressure 25 bar (PN 25). |
| 7. Asientos PTFE. | 7. PTFE Seats. |



| Nº | Denominación / Name | Material | Acabado Superficial / Surface Treatment |
|----|---------------------------|------------------------|---|
| 1 | Cuerpo / Body | Latón / Brass (CW617N) | Granallado+Cromado / Peened+Chrome plated |
| 2 | Tapa / Cap | Latón / Brass (CW617N) | Granallado+Cromado / Peened+Chrome plated |
| 3 | Esfera / Ball | Latón / Brass (CW617N) | Cromado / Chrome plated |
| 4 | Eje / Stem | Latón / Brass (CW617N) | Cromado / Chrome plated |
| 5 | Asientos / Ball seats | PTFE | - |
| 6 | Empaquet. / Stem packing | PTFE | - |
| 7 | Tórica / O-ring | NBR | - |
| 8 | Anillo prensa / Stem ring | Latón / Brass | Cromado / Chrome plated |
| 9 | Tuerca / Nut | Latón / Brass | Cromado / Chrome plated |
| 10 | Maneta / Handle | Latón / Brass (CW617N) | Granallado+Cromado / Peened+Chrome plated |
| 11 | Tornillo / Screw | Hierro / Iron | Cromado / Chrome plated |

| Ref. | Medida / Size | PN | Dimensiones / Dimensions (mm) | | | | Peso / Weight (Kg) |
|---------|---------------|----|-------------------------------|----|-----|----|--------------------|
| | | | P | A | L | M | |
| 3085 04 | 1/2" | 25 | 15 | 38 | 55 | 20 | 0,170 |
| 3085 05 | 3/4" | 25 | 20 | 49 | 64 | 20 | 0,265 |
| 3085 06 | 1" | 25 | 25 | 52 | 76 | 20 | 0,395 |
| 3085 07 | 1 1/4" | 25 | 32 | 63 | 87 | 30 | 0,640 |
| 3085 08 | 1 1/2" | 25 | 40 | 69 | 95 | 30 | 0,865 |
| 3085 09 | 2" | 25 | 50 | 80 | 109 | 30 | 1,315 |

DIAGRAMA PÉRDIDA DE CARGA / HEAD LOSS CHART

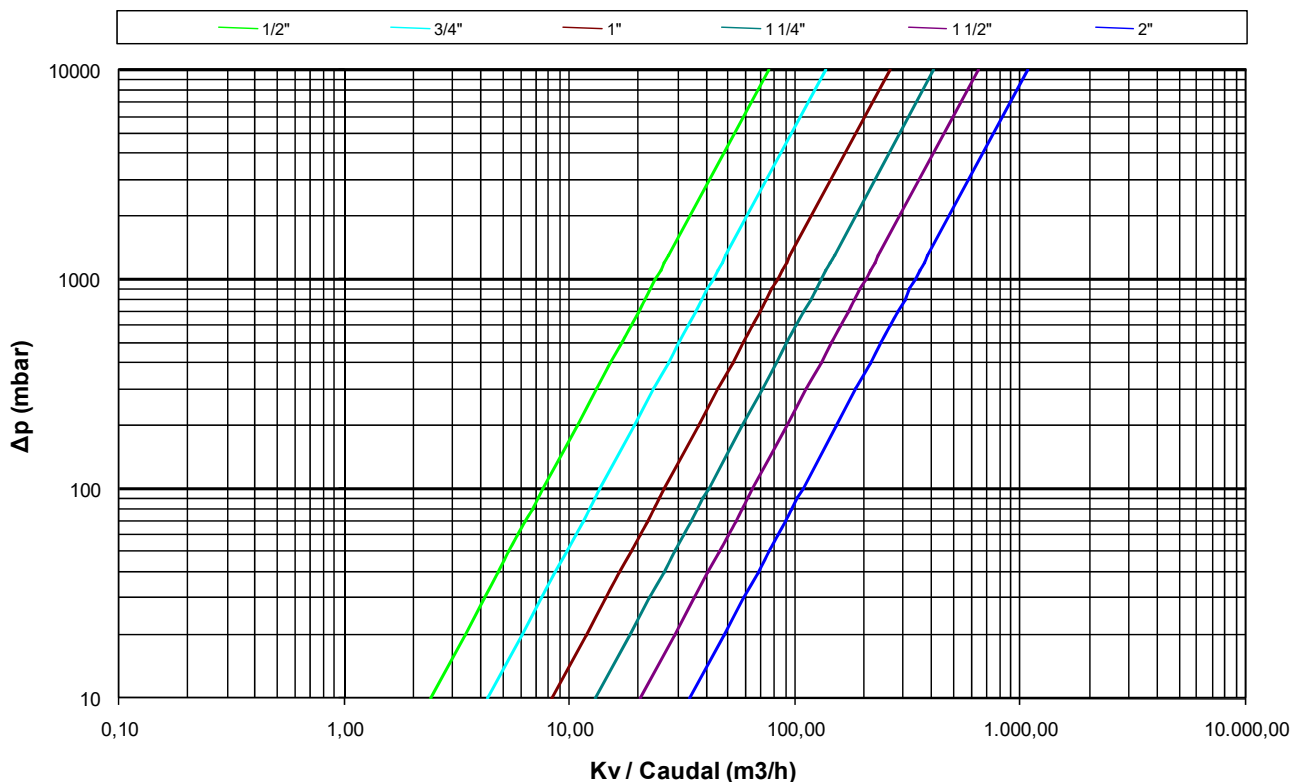
(Válvulas paso total roscadas / Threaded ends full bore ball valves)

Valores de Kv / Kv Values:

Kv = Es la cantidad de metros cúbicos por hora que pasará a través de la válvula generando una pérdida de carga de 1 bar.

Kv = The flow rate of water in cubic meters per hour that will generate a pressure drop of 1 bar across the valve.

| Medida / Size | 1/2" | 3/4" | 1" | 1 1/4" | 1 1/2" | 2" |
|---------------|------|------|----|--------|--------|-----|
| Kv | 24 | 43 | 83 | 130 | 205 | 340 |



CURVA PRESIÓN - TEMPERATURA / PRESSURE - TEMPERATURE RATING

