

M • Mechanical Pressure Switches



M.1

hex 24 integrated

Pressure switches hex 24 with integrated connector

NC or NO, maximum operating voltage up to 42 V

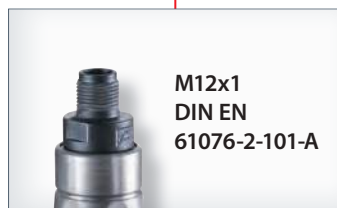
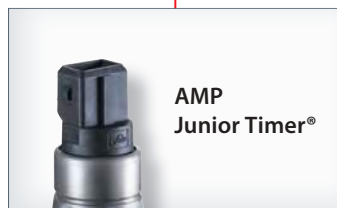


- Large selection of electrical plug-in types for quick attachment and reliable connection
- High protection class (to IP67 or IP6K9K)
- Compact and rugged design in industrial environments like construction and agricultural machinery or commercial vehicles
- Switching point can be set on site with adjusting screw in the connector¹⁾
- High overpressure resistance, compact, small switches, available as normally open or normally closed

¹⁾ Pressure switches can also be supplied preset at factory.
The switching point is embossed onto pressure switches preset at factory.

The all-rounder with the broad selection of options

NC or NO, maximum operating voltage up to 42 V



with **10** plug-in types

Bayonet with **4** codings



for **6** setting ranges

- 0.1 – 1 bar
- 0.5 – 3 bar
- 1 – 10 bar
- 10 – 20 bar
- 20 – 50 bar
- 50 – 150 bar

with many
thread types

- [Grey box]
- [Grey box]
- [Grey box]
- [Grey box]
- [Grey box]
- [Grey box]
- [Grey box]
- 9/16-18 UNF
- 7/16-20 UNF

Sealing materials
for a broad diversity
of applications

- NBR: Hydraulic/machine oil, heating oil, air, nitrogen, etc.
- EPDM: Brake fluid, hydrogen, oxygen, acetylene, etc.
- FKM: Hydraulic fluids (HFA, HFB, HFD), petrol/gasoline, etc.
- HNBR: Hydraulic/machine oil, esterbased bio-oils
- Silicone: Water, food products (FDA approval)

M.1

hex 24 integrated

Pressure switches hex 24 with integrated connector

Technical data



0110/0111
Deutsch DT04-2P
IP67, IP6K9K



0112/0113
AMP Superseal 1.5°
IP67



0114/0115
Packard MetriPack 280®
IP67



0116/0117
Deutsch DT04-3P
IP67, IP6K9K



0118/0119
AMP Junior Timer®
IP65, IPx4K



0120/0121
Bayonet DIN 72585
IP67, IP6K9K



0122/0123
M12x1 DIN EN 61076-2-101-A
IP67

Rated working voltage:	10 ... 42 VAC/DC	
Rated current range (resistive load, DC 12 / AC 12):	10 mA ... 4 A	
Switching power DC 12 / AC 12	100 W / 100 VA	
Temperature resistance of sealing materials:	NBR	-40 °C ... +100 °C
	EPDM	-30 °C ... +120 °C
	FKM (in diaphragm pressure switch)	-5 °C ... +120 °C
	FKM (in piston pressure switch)	-15 °C ... +120 °C
	Silicone	-40 °C ... +120 °C
HNBR	-30 °C ... +120 °C	
Switching frequency:	200 / min.	
Mechanical life expectancy:	1,000,000 cycles (for diaphragm pressure switches, life expectancy value only applies for switching pressures to max. 50 bar)	
Pressure rise rate:	≤ 1 bar/ms	
Hysteresis:	Average value 5...30 % depending on type, not adjustable	
Vibration resistance:	10 g; 5...200 Hz sine wave, DIN EN 60068-2-6	
Shock resistance:	294 m/s ² ; 14 ms half sine wave; DIN EN 60068-2-27	
Protection class:	Up to IP67 / IP6K9K according to the manufacturer's specifications for the respective plug-in system only when plugged in, otherwise IP00	
Weight:	approx. 90 g	

Contact assignment for bayonet connectors

Coding A1-2.1	Coding A2-2.1	Coding A3-2.1	Coding A4-2.1

0110/0112/0114/0116/0118/0122

Diaphragm pressure switches with integrated connector

- Setting ranges to up to 50 bar (higher settings refer to page 26)
- NC or NO, maximum voltage 42 V
- Zinc-plated steel (Cr VI-free)
- Overpressure safety up to 300 bar¹⁾

Plug-in types for diaphragm pressure switches

Deutsch DT04-2P	0110 - XXX XX - X - XXX	0110 - XXX XX - X - XXX
AMP Superseal 1.5°	0112 - XXX XX - X - XXX	0112 - XXX XX - X - XXX
Packard MetriPack 280°	0114 - XXX XX - X - XXX	0114 - XXX XX - X - XXX
Deutsch DT04-3P	0116 - XXX XX - X - XXX	0116 - XXX XX - X - XXX
AMP Junior Timer®	0118 - XXX XX - X - XXX	0118 - XXX XX - X - XXX
M12x1 DIN EN 61076-2-101-A	0122 - XXX XX - X - XXX	0122 - XXX XX - X - XXX

Adjustment range tolerance at room temperature	Male thread	Order number NO → :	Order number NC → :
---	----------------	-------------------------	------------------------

Diaphragm pressure switches with integrated connector

0.1 – 1 (±0.2) bar	G 1/4	XXXX - 403 03 - X - 011	XXXX - 404 03 - X - 015
	G 1/8	XXXX - 403 28 - X - 603	XXXX - 404 28 - X - 604
	M 10x1 cyl.	XXXX - 403 13 - X - 003	XXXX - 404 13 - X - 004
	M 10x1 con.	XXXX - 403 01 - X - 009	XXXX - 404 01 - X - 013
	M 12x1.5 cyl.	XXXX - 403 02 - X - 010	XXXX - 404 02 - X - 014
	NPT 1/8	XXXX - 403 04 - X - 012	XXXX - 404 04 - X - 016
0.5 – 3 (±0.3) bar	G 1/4	XXXX - 423 03 - X - 070	XXXX - 424 03 - X - 070
	G 1/8	XXXX - 423 28 - X - 070	XXXX - 424 28 - X - 070
	M 10x1 cyl.	XXXX - 423 13 - X - 070	XXXX - 424 13 - X - 070
	M 10x1 con.	XXXX - 423 01 - X - 070	XXXX - 424 01 - X - 070
	M 12x1.5 cyl.	XXXX - 423 02 - X - 070	XXXX - 424 02 - X - 070
	NPT 1/8	XXXX - 423 04 - X - 070	XXXX - 424 04 - X - 070
1 – 10 (±0.5) bar	G 1/4	XXXX - 407 03 - X - 027	XXXX - 408 03 - X - 031
	G 1/8	XXXX - 407 28 - X - 607	XXXX - 408 28 - X - 608
	M 10x1 cyl.	XXXX - 407 13 - X - 007	XXXX - 408 13 - X - 008
	M 10x1 con.	XXXX - 407 01 - X - 025	XXXX - 408 01 - X - 029
	M 12x1.5 cyl.	XXXX - 407 02 - X - 026	XXXX - 408 02 - X - 030
	NPT 1/8	XXXX - 407 04 - X - 028	XXXX - 408 04 - X - 032

Seal material – Application areas

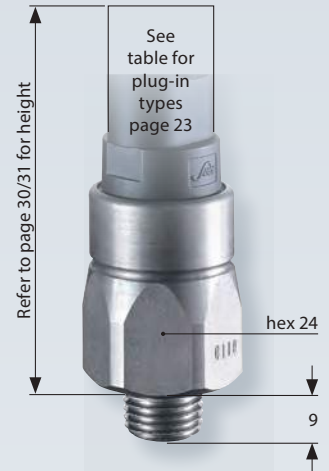
NBR	Hydraulic/machine oil, heating oil, air, nitrogen, etc.	1
EPDM	Brake fluid, hydrogen, oxygen, acetylene, etc.	2
FKM	Hydraulic fluids (HFA, HFB, HFD), petrol/gasoline, etc.	3
HNBR	Hydraulic/machine oil, ester-based bio-oils	9

Refer to page 24 for the temperature range and application thresholds of sealing materials.

Your order number: 01XX - XXX XX - X - XXX

M.1

hex 24 integrated



Juico

M

¹⁾ Static value. Dynamic value is 30-50 % lower. Values pertain to the hydraulic/pneumatic part of the pressure switch.



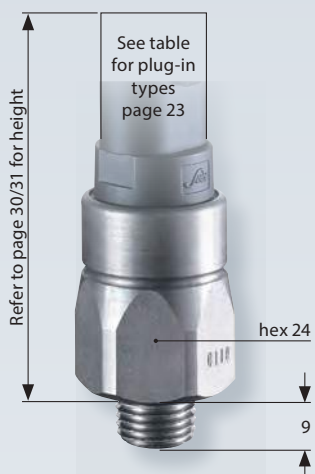
M.1

hex 24 integrated

0110/0112/0114/0116/0118/0122

Diaphragm pressure switches with integrated connector

- Setting ranges up to 50 bar (lower settings refer to page 25)
- NC or NO, maximum operating voltage up to 42 V
- Zinc-plated steel (Cr VI-free)
- Overpressure safety up to 300 bar¹⁾



Plug-in types for diaphragm pressure switches

Deutsch DT04-2P	0110 - XXX XX - X - XXX	0110 - XXX XX - X - XXX
AMP Superseal 1.5°	0112 - XXX XX - X - XXX	0112 - XXX XX - X - XXX
Packard MetriPack 280°	0114 - XXX XX - X - XXX	0114 - XXX XX - X - XXX
Deutsch DT04-3P (A+B)	0116 - XXX XX - X - XXX	0116 - XXX XX - X - XXX
AMP Junior Timer°	0118 - XXX XX - X - XXX	0118 - XXX XX - X - XXX
M12x1 DIN EN 61076-2-101-A (1 + 3)	0122 - XXX XX - X - XXX	0122 - XXX XX - X - XXX

Adjustment range tolerance at room temperature	Male thread	Order number NO → :	Order number NC → :
--	--------------------	--------------------------------	-------------------------------

Diaphragm pressure switches with integrated connector

10-20 (±1) bar	G 1/4	XXXX - 411 03 - X - 043	XXXX - 412 03 - X - 047
	G 1/8	XXXX - 411 28 - X - 611	XXXX - 412 28 - X - 612
	M 10x1 cyl.	XXXX - 411 13 - X - 011	XXXX - 412 13 - X - 012
	M 10x1 con.	XXXX - 411 01 - X - 041	XXXX - 412 01 - X - 045
	M 12x1.5 cyl.	XXXX - 411 02 - X - 042	XXXX - 412 02 - X - 046
	NPT 1/8	XXXX - 411 04 - X - 044	XXXX - 412 04 - X - 048
20-50 (±2) bar	G 1/4	XXXX - 415 03 - X - 059	XXXX - 416 03 - X - 063
	G 1/8	XXXX - 415 28 - X - 615	XXXX - 416 28 - X - 616
	M 10x1 cyl.	XXXX - 415 13 - X - 015	XXXX - 416 13 - X - 016
	M 10x1 con.	XXXX - 415 01 - X - 057	XXXX - 416 01 - X - 061
	M 12x1.5 cyl.	XXXX - 415 02 - X - 058	XXXX - 416 02 - X - 062
	NPT 1/8	XXXX - 415 04 - X - 060	XXXX - 416 04 - X - 064

Seal material – Application areas

NBR	Hydraulic/machine oil, heating oil, air, nitrogen, etc.	1
EPDM	Brake fluid, hydrogen, oxygen, acetylene, etc.	2
FKM	Hydraulic fluids (HFA, HFB, HFD), petrol/gasoline, etc.	3
HNBR	Hydraulic/machine oil, ester-based bio-oils	9

Refer to page 24 for the temperature range and application thresholds of sealing materials.



Your order number: 01XX - XXX XX - X - XXX



¹⁾ Static value. Dynamic value is 30-50 % lower. Values pertain to the hydraulic/pneumatic part of the pressure switch.

0111 / 0113 / 0115 / 0117 / 0119 / 0123

Piston pressure switches with integrated connector

- Setting range up to 150 bar
- NC or NO, maximum operating voltage up to 42 V
- Zinc-plated steel (Cr VI-free)
- Overpressure safety up to 600 bar¹⁾

Plug-in types for piston pressure switches

Deutsch DT04-2P	0111 - XXX XX - X - XXX	0111 - XXX XX - X - XXX
AMP Superseal 1.5®	0113 - XXX XX - X - XXX	0113 - XXX XX - X - XXX
Packard MetriPack 280®	0115 - XXX XX - X - XXX	0115 - XXX XX - X - XXX
Deutsch DT04-3P (A+B)	0117 - XXX XX - X - XXX	0117 - XXX XX - X - XXX
AMP Junior Timer®	0119 - XXX XX - X - XXX	0119 - XXX XX - X - XXX
M12x1 DIN EN 61076-2-101-A (1 + 3)	0123 - XXX XX - X - XXX	0123 - XXX XX - X - XXX

Adjustment range tolerance at room temperature	Male thread	Order number NO → :	Order number NC → :
---	----------------	-------------------------	------------------------

Piston pressure switches with integrated connector

50–150 (±5) bar	G 1/4	XXXX - 419 03 - X - 011	XXXX - 420 03 - X - 015
	G 1/8	XXXX - 419 28 - X - 603	XXXX - 420 28 - X - 604
	M 10x1 cyl.	XXXX - 419 13 - X - 003	XXXX - 420 13 - X - 004
	M 10x1 con.	XXXX - 419 01 - X - 009	XXXX - 420 01 - X - 013
	M 12x1.5 cyl.	XXXX - 419 02 - X - 010	XXXX - 420 02 - X - 014
	NPT 1/8	XXXX - 419 04 - X - 012	XXXX - 420 04 - X - 016

Seal material – Application areas

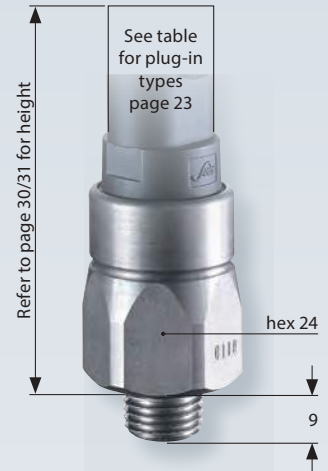
NBR	Hydraulic/machine oil, heating oil, air, nitrogen, etc.	1
EPDM	Brake fluid, hydrogen, oxygen, acetylene, etc.	2
FKM	Hydraulic fluids (HFA, HFB, HFD), petrol/gasoline, etc.	3
HNBR	Hydraulic/machine oil, ester-based bio-oils	9

Refer to page 24 for the temperature range and application thresholds of sealing materials.

Your order number: **01XX - XXX XX - X - XXX**

M.1

hex 24 integrated

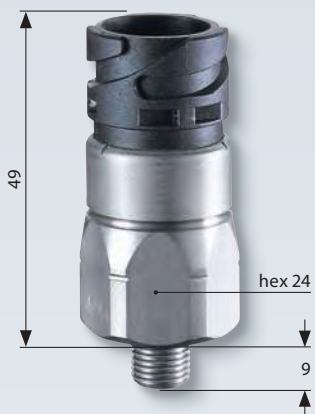


¹⁾ Static value. Dynamic value is 30-50 % lower. Values pertain to the hydraulic/pneumatic part of the pressure switch.

M.1

hex 24 integrated

Bayonet ISO 15170
(DIN 72585)



0120

Diaphragm pressure switches with integrated bayonet connector

- NC or NO, maximum operating voltage up to 42 V
- Zinc-plated steel (Cr VI-free)
- Overpressure safety up to 300 bar¹⁾

Adjustment range tolerance at room temperature	Male thread	Order number NO → :	Order number NC → :
---	----------------	-------------------------	------------------------

0120 Diaphragm pressure switches with integrated connector

Adjustment range	Male thread	Order number (NO)	Order number (NC)
0.1 – 1 (±0.2) bar	G 1/4	0120 – X03 03 – X – 011	0120 – X04 03 – X – 015
	G 1/8	0120 – X03 28 – X – 603	0120 – X04 28 – X – 604
	M 10x1 cyl.	0120 – X03 13 – X – 003	0120 – X04 13 – X – 004
	M 10x1 con.	0120 – X03 01 – X – 009	0120 – X04 01 – X – 013
	M 12x1.5 cyl.	0120 – X03 02 – X – 010	0120 – X04 02 – X – 014
	NPT 1/8	0120 – X03 04 – X – 012	0120 – X04 04 – X – 016
0.5 – 3 (±0.3) bar	G 1/4	0120 – X23 03 – X – 070	0120 – X24 03 – X – 070
	G 1/8	0120 – X23 28 – X – 070	0120 – X24 28 – X – 070
	M 10x1 cyl.	0120 – X23 13 – X – 070	0120 – X24 13 – X – 070
	M 10x1 con.	0120 – X23 01 – X – 070	0120 – X24 01 – X – 070
	M 12x1.5 cyl.	0120 – X23 02 – X – 070	0120 – X24 02 – X – 070
	NPT 1/8	0120 – X23 04 – X – 070	0120 – X24 04 – X – 070
1 – 10 (±0.5) bar	G 1/4	0120 – X07 03 – X – 027	0120 – X08 03 – X – 031
	G 1/8	0120 – X07 28 – X – 607	0120 – X08 28 – X – 608
	M 10x1 cyl.	0120 – X07 13 – X – 007	0120 – X08 13 – X – 008
	M 10x1 con.	0120 – X07 01 – X – 025	0120 – X08 01 – X – 029
	M 12x1.5 cyl.	0120 – X07 02 – X – 026	0120 – X08 02 – X – 030
	NPT 1/8	0120 – X07 04 – X – 028	0120 – X08 04 – X – 032

Coding

A1-2.1	4XX	4XX
A2-2.1	3XX	3XX
A3-2.1	2XX	2XX
A4-2.1	1XX	1XX

Seal material – Application areas

NBR	Hydraulic/machine oil, heating oil, air, nitrogen, etc.	1
EPDM	Brake fluid, hydrogen, oxygen, acetylene, etc.	2
FKM	Hydraulic fluids (HFA, HFB, HFD), petrol/gasoline, etc.	3
HNBR	Hydraulic/machine oil, ester-based bio-oils	9

Refer to page 24 for the temperature range and application thresholds of sealing materials.

Your order number: 0120 – XXX XX – X – XXX



¹⁾ Static value. Dynamic value is 30-50 % lower. Values pertain to the hydraulic/pneumatic part of the pressure switch.

0120 / 0121

Diaphragm/piston pressure switches with integrated bayonet

- NC or NO, maximum operating voltage up to 42 V
- Zinc-plated steel (Cr VI-free)
- Overpressure safety up to 300 bar¹⁾ for diaphragm variant
Overpressure safety up to 600 bar¹⁾ for piston variant

Adjustment range tolerance at room temperature	Male thread	Order number NO → :	Order number NC → :
---	----------------	-------------------------	------------------------

0120 Diaphragm pressure switches with integrated connector

10–20 (±1) bar	G 1/4	0120 – X11 03 – X – 043	0120 – X12 03 – X – 047
	G 1/8	0120 – X11 28 – X – 611	0120 – X12 28 – X – 612
	M 10x1 cyl.	0120 – X11 13 – X – 011	0120 – X12 13 – X – 012
	M 10x1 con.	0120 – X11 01 – X – 041	0120 – X12 01 – X – 045
	M 12x1.5 cyl.	0120 – X11 02 – X – 042	0120 – X12 02 – X – 046
	NPT 1/8	0120 – X11 04 – X – 044	0120 – X12 04 – X – 048
20–50 (±2) bar	G 1/4	0120 – X15 03 – X – 059	0120 – X16 03 – X – 063
	G 1/8	0120 – X15 28 – X – 615	0120 – X16 28 – X – 616
	M 10x1 cyl.	0120 – X15 13 – X – 015	0120 – X16 13 – X – 016
	M 10x1 con.	0120 – X15 01 – X – 057	0120 – X16 01 – X – 061
	M 12x1.5 cyl.	0120 – X15 02 – X – 058	0120 – X16 02 – X – 062
	NPT 1/8	0120 – X15 04 – X – 060	0120 – X16 04 – X – 064

0121 Piston pressure switches with integrated connector

50–150 (±5) bar	G 1/4	0121 – X19 03 – X – 011	0121 – X20 03 – X – 015
	G 1/8	0121 – X19 28 – X – 603	0121 – X20 28 – X – 604
	M 10x1 cyl.	0121 – X19 13 – X – 003	0121 – X20 13 – X – 004
	M 10x1 con.	0121 – X19 01 – X – 009	0121 – X20 01 – X – 013
	M 12x1.5 cyl.	0121 – X19 02 – X – 010	0121 – X20 02 – X – 014
	NPT 1/8	0121 – X19 04 – X – 012	0121 – X20 04 – X – 016

Coding

A1-2.1	4XX	4XX
A2-2.1	3XX	3XX
A3-2.1	2XX	2XX
A4-2.1	1XX	1XX

Seal material – Application areas

NBR	Hydraulic/machine oil, heating oil, air, nitrogen, etc.	1
EPDM	Brake fluid, hydrogen, oxygen, acetylene, etc.	2
FKM	Hydraulic fluids (HFA, HFB, HFD), petrol/gasoline, etc.	3
HNBR	Hydraulic/machine oil, ester-based bio-oils	9

Refer to page 24 for the temperature range and application thresholds of sealing materials.

Your order number: 012X – XXX XX – X – XXX

M.1

hex 24 integrated



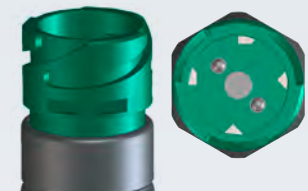
Coding A1-2.1



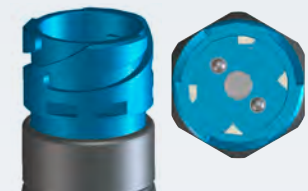
Coding A2-2.1



Coding A3-2.1



Coding A4-2.1





¹⁾ Static value. Dynamic value is 30-50 % lower. Values pertain to the hydraulic/pneumatic part of the pressure switch.

Technical details, contact assignment and accessories



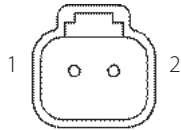
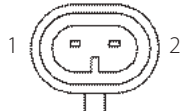
for hex 24 pressure switches with integrated connector






Please note:
Mating plugs are not included in the delivery and can be ordered separately.

Mating plug accessories

	Deutsch DT06-2S (für DT04-2P)	AMP- Superseal 1.5®
Mating plug type ▶		
Including 2 m cable ▶		
Cable cross-section ▶	2 x 0.5 mm ² Radox cables	2 x 0.5 mm ² Radox cables
Protection class ▶	IP65	IP65
Order number ▶	1-1-10-653-118	1-1-12-653-113

Plug-in types for hex 24 diaphragm and piston pressure switches

	0110 / 0111	0112 / 0113
Model / type ▶		
		
Connector ▶	Deutsch DT04-2P	AMP Superseal 1.5®
Protection class ▶	IP67, IP6K9K	IP67
Overall height ▶	H ≈ 61 mm	H ≈ 61 mm
Contact assignment ▶		

<p>Packard MetriPack 280®</p> 	<p>Deutsch DT06-3S (für DT04-3P)</p> 	<p>AMP Junior Timer®</p> 	<p>Bayonet DIN 72585 / ISO 15170 A1-2.1</p> 	<p>M12x1 DIN EN 61076-2-101-LF</p> 
2 x 0.5 mm ² Radox cables	2 x 0.5 mm ² PUR-cables	2 x 0.5 mm ² Radox cables	2 x 0.5 mm ² Radox cables	4 x 0.34 mm ² PUR-cables
IP65	IP67	IP65	IP65	IP67
1-1-14-653-114	1-1-36-653-160	1-1-18-653-116	1-1-20-653-112	1-1-00-653-162

0114 / 0115	0116 / 0117	0118 / 0117	0120 / 0121	0122 / 0123
				
Packard MetriPack 280®	Deutsch DT04-3P	AMP Junior Timer®	Bayonet DIN 72585/ISO 15170	M12x1 DIN EN 61076-2-101-A
IP67	IP67, IP6K9K	IP65, IPx4K	IP67, IP6K9K	IP67
H ≈ 62 mm	H ≈ 63 mm	H ≈ 54 mm	H ≈ 49 mm	H ≈ 51 mm
			 <p>Coding: A1-2.1</p>	

General technical explanations

User information

Our pressure monitoring products may only be installed and started up by authorised specialists. The safety regulations of country-specific authorities must be observed, especially when working with mains voltages and oxygen, and in potentially explosive areas.

Product information

The technical information in this catalogue is based upon fundamental testing during product development and empirical values. The information cannot be used for all application scenarios.

Testing of the suitability of our products for a specific application (such as the checking of material compatibilities) remains the responsibility of the user. It may be the case that suitability can only be verified by appropriate field testing.

IP protection class

The IP protection class is a defined protection level code (sealing) of electrical equipment housings in line with IEC 60529 (formerly DIN 40050 – Part 2). Protection of a housing against the following is tested here:

- The penetration of solid extraneous particles, such as dust
- Access of hazardous parts
- Penetration of water

IP protection tests are performed as type tests. The IP protection type code, made up of two digits, specifies the protection of a housing against the penetration of solid extraneous particles and water. The numeric code therefore provides conclusions to be drawn on the level of personal safety as well as the functional protection / mid to long-term functional reliability of electrical equipment.

Protection types IP00, IP65, IP67 and IP6K9K

IP00:

No protection against penetration of solid particles or water, no protection against contact.

IP6X:

Protection against penetration of dust (dust proof). Full contact protection.

IPX5:

A jet of water from a nozzle, aimed at equipment (such as a pressure switch) from all directions, must not have any harmful effect.

IPX7:

Protection from water, when equipment (such as a pressure switch) is immersed in water under defined pressure and time conditions. Water must not penetrate into the equipment in harmful quantities.

IP6K9K:

Devices satisfying these requirements must be dust-proof and be able to withstand loads during the use of high-pressure cleaners and steam jets. The standard stipulates a water pressure from 80 to 100 bar at a temperature of 80°C for testing.

IP6KX:

Dust must not penetrate. Letter K: Specific to the electrical equipment of road vehicles.

IPX9K:

Protection against penetration of water at high pressure / for steam jet cleaning. Water aimed at the housing from every direction at greatly increased pressure may not have any damaging effects.

We are able to offer IP67 / IP6K9K for many of our mechanical and electronic pressure switches (pre-wired or with integrated connector) and for our transmitters.

IP67 / IP6K9K is the recommended protection for mobile hydraulics and any equipment exposed to the outdoor environment.

Cylindrical threads

Cylindrical threads are either sealed on the front by underlaying an appropriate sealing ring (such as a copper sealing ring) or by already having integrated O-rings or gaskets.

Conical threads (cone-shaped threads)

Conical threads guarantee tolerance compensation of the two threaded parts. The sealing function is realised with thread flanks which deform permanently and enter into a metallic frictional fit. Conical threads are not screwed in down to the screw-in depth, but fixed with the tightening torque required for the leak tightness. Remember not to exceed the permitted tightening torque of the pressure switch or transmitter presented in the following table (to prevent damaging the threaded pin beforehand, causing it to become untight during operation or to snap off when tightened).

Tightening torques of steel threads

The specifications below are to be understood upper material thresholds for the housing of pressure switches or transmitters. Remember during installation that the type and material of the seal, the condition of mating surfaces (e.g. dry or oily) and the material of the counter-piece all have a bearing on the tightening torque.

Thread	Tightening torque
NPT 1/8; M 10 x 1 conical	max. 18 Nm
M 10 x 1 cyl.; G 1/8	max. 20 Nm
M 12 x 1.5; 7/16 – 20 UNF	max. 30 Nm
G 1/4; 9/16 – 18 UNF	max. 40 Nm
NPT 1/4; M 14 x 1.5	max. 40 Nm

Brass housing

Values 30% lower than in the table above must be used for brass housings.

Gaseous applications

Using additional sealant to attain the required leak tightness may be necessary for gas applications.

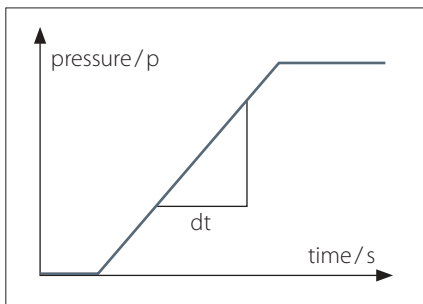
Vacuum

The values given in the technical details for the vacuum range are specified in millibars (mbar) below atmospheric pressure.

Pressure change rate (~rise / ~fall)

The pressure change rate denotes the pressure over time for the rising/falling pressure. The pressure change rate is specified in bar/s or bar/ms.

The maximum pressure change rate for SUCO mechanical pressure switches is 1 bar/ms (1,000 bar/s). For SUCO electronic pressure monitoring products the maximum pressure change rate can be up to 5 bar/ms (5,000 bar/s).



Over pressure protection

The specified over pressure protection in the catalogue is based on a static pressure. The values refer to the hydraulic or pneumatic part of the switch.

It is best practice to use 30 - 50% lower values for dynamic pressure compared to static pressure. These empirical values are based on the knowledge that, in pressure systems, unexpected pressure peaks which are higher than the working pressure are generated as a result of activation of valves, sudden falling or rising load or simply the change of cross-sections in the pipes. With conventional measurement techniques (such as manometers), these pressure peaks are hardly measurable. Faster measurement systems must therefore be used for this data acquisition. Attempts are being made to take this into account by using empirical or corrective factors.

If the pressure conditions are known and the pressure change rates are ≤ 0.1 bar/ms, our pressure switches and transmitters can be used up to the permitted overpressure protection as per data sheet / catalogue. Only 50% of the specified overpressure protection is permitted when operating at the maximum permitted pressure change rate of ≤ 1 bar/ms for mechanical pressure switches, and at ≤ 5 bar/ms for transmitters.

RoHS-Compliance

RoHS
= **R**estriction of **H**azardous **S**ubstances
(EC Directive 2011/65/EU (RoHS II))



CE mark

European Parliament and Council directives must be observed when products are launched onto the market. If a directive exists for a product, it must be applied. Only products for which a directive exists may bear the CE mark.

Mechanical pressure switches with a supply voltage above 50 VAC or 75 VDC are covered by the 2014/35/EU Low Voltage Directive. Variants for potentially explosive areas are covered in addition by the 2014/34/EU ATEX Product Directive.

Our electronic products satisfy EMC (Electromagnetic Compatibility) Directive 2014/30/EC.

Mechanical pressure switches do not fall under the EMC Directive.

The Machinery Directive 2006/42/EC is not applicable, because our products are classed as components.

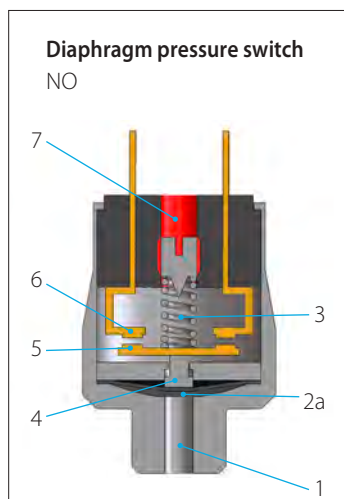
Our product designs are based upon "good engineering practise" in line with Article 4, Paragraph 3 of the Pressure Equipment Directive (2014/68/EU), meaning neither a declaration of conformity may be issued nor a CE mark affixed.

The current product-specific CE declaration is available for download from the download area on our homepage:
www.suco.de/Downloads.htm



Subject to technical changes.

Technical explanations for mechanical pressure switches



What is a mechanical pressure switch?

Mechanical pressure switches from SUCO monitor the pressure of liquid or gaseous media, and close or open an electrical circuit on reaching a set threshold.

Diaphragm pressure switches

SUCO diaphragm pressure switches are used in pressure ranges from 0.1 bar to 100 bar, meaning over pressure safety of 35, 100, 300 and 600 bar, depending on the used diaphragm type.

Piston pressure switches

Pressure ranges from 10 bar to 400 bar can be monitored with SUCO piston pressure switches (dependent on size); an over pressure safety of up to 600 bar can be attained.

Sizes of pressure switches

Mechanical pressure switches from SUCO can be divided into sizes hex 24, hex 27 and 30 A/F. Each particular size has specific hydraulic, pneumatic and electric properties (specified on the relevant catalogue page in the technical details).

How does a pressure switch work?

Function description for normally open (NO):

Pressure is applied to the diaphragm (2a) / pistons (2b) through the pressure connector (1). If the generated pressure force is greater than the pre-tensioned force of the pressure spring (3), the plunger (4) moves towards the counter-contact (6), carrying along the contact disc (5), and closes the circuit. The switch opens again when the pressure is reduced by the hysteresis value.

Function description for normally closed (NC):

Engaging happens in the reverse order.

The adjustment screw (7) enables the switching point to be changed within the adjustment range.

The micro switch of a **change-over contact system (snap-action)** offers both, a NC and a NO contact.

The swivel contact (9) is activated by the plunger (4). The circuit is closed by the NC (8) as long as no pressure is applied. When the applied pressure exceeds the set switching point, the swivel contact changes over and closes the circuit via the NO (10).

Utilisation category

The utilisation category specifies for example voltages and currents, and the type of load, our pressure switches are designed for (to DIN EN 60947-5-1).

AC voltage

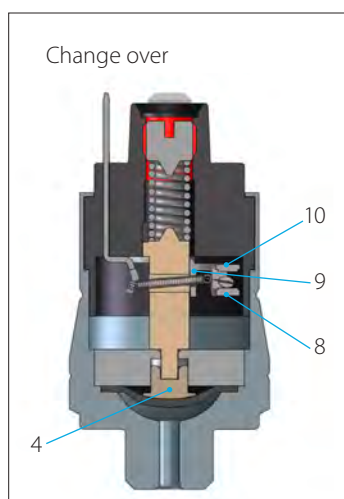
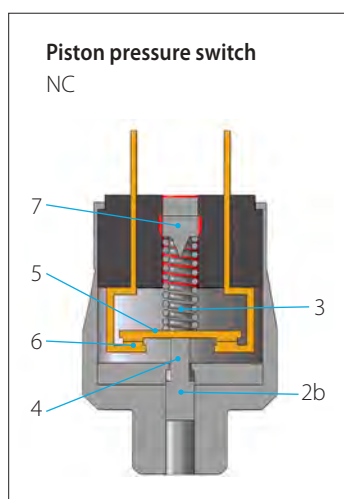
AC12: Control of ohmic loads and semiconductor loads in input circuits of optocouplers (such as PLC inputs).

AC14: Control of electromagnetic loads, 72 VA.

DC voltage

DC12: Control of ohmic loads and semiconductor loads in input circuits of optocouplers (such as PLC inputs).

DC13: Control of electromagnets.



Classification of electrical switch functions

			Contact form DIN- EN-60947-5-1	Symbol IEC 60617
NO	NO, normally open	SPST single pole, single throw	X	
NC	NC, normally closed	SPST single pole, single throw	Y	
Change-over contacts	CO, change over (snap action)	SPDT Single pole, double throw	C	

B10d value

The B10d value specifies the anticipated service life (with a 10% probability of failure). The B10d value is therefore directly dependent on the respective application of the pressure switch. For ohmic loads and currents < 1 A, we specify the B10d value as 1 million cycles of electrical life.

The specification of a MTTF time (mean time to failure) is not possible without knowing the specific conditions in the application. However, the MTTF time can be determined easily from the B10d value:

$$MTTF_d = \frac{B_{10d}}{0,1 n_{op}}$$

n_{op} : number of cycles per year

B_{10d} : number of cycles until
10% of components have failed.

Minimum current / minimum working voltage

The minimum working current and minimum working voltage depend greatly on operating and ambient conditions. Physically, the build-up of impurity layers on the contact rivets must be countered with mechanical friction and/or electrical erosion. It has proven useful in many applications to deploy our pressure switches with silver contact rivets ensuring that they are fail safe to 10 mA and 10 V. Variants with gold contacts are available in our catalogue for even lower currents and voltages.

Potential-free – galvanically isolated

Mechanical pressure switches from SUCO are potential-free, i.e. no auxiliary energy is required. Also, there is no electrical contact between the individual, live parts and the housing.

Adjustment range of switching point

The pressure range, within which the switching point of a pressure switch can be set, is called adjustment range. The switching point corresponds to the pressure value at which the electric circuit is opened or closed by the pressure applied.

Switching point tolerances

The switching point tolerances specified by us pertain to room temperature (RT) and condition as new. The values can change as a result of temperature, ageing and deployment conditions.

It is not possible to specify generally applicable value for switching point tolerances over temperature as the medium has a significant influence on the sealing materials in the pressure switch. Double the tolerance stated

for RT and condition as new can be assumed as a typical magnitude for the tolerance over the entire temperature range.

Based on their design, piston switches may exhibit an increase in switching points due to storage (dry run, stick-slip effect). Following a short start phase, the switching points return to the value set at the factory.

Pressure change rates of >1bar/s may have an effect on the switching point for diaphragm pressure switches. The switching point (for rising pressure) and hysteresis increase, whilst the switch-back point (for falling pressure) sinks. Also, the effect of the maximum (system) pressure on the switch-back point (for falling pressure ramp) must be factored in for tolerance-critical applications. The higher the (system) pressure, the lower the resulting switch-back value.

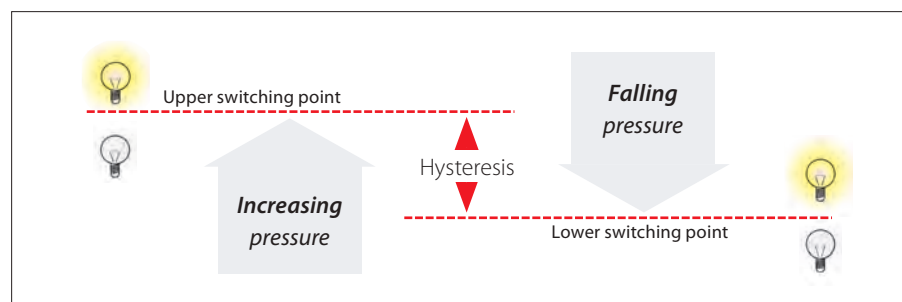
Hysteresis

Rising / falling switching point

The pressure difference between the rising (upper) and falling (lower) switching points (refer to the figure) is known as hysteresis (switch-back difference).

Hysteresis is derived from the structural layout of a mechanical pressure switch. It has no constant value within the adjustment range, and is lowest for the lowest adjustment value. It is greatest at the end of the adjustment range.

Hysteresis can be set at SUCO in range from approx. 10% (at end of adjustment range) to 30% or higher (at start of adjustment range), related to the respective switching point for hex 27 and 30 A/F pressure switches with adjustable hysteresis.



Technical explanations for mechanical pressure switches

The specifications in the catalogue only represent typical average values.

Please ask about the possible setting ranges you may require. Our electronic pressure switches are excellently suited to extremely low or high hysteresis.

The lowest possible hysteresis is set if nothing is specified in the order.

Switching frequency

The switching frequency provides information on the possible number of cycles in one minute. The value of 200/minute specified by us is a guideline value. Higher cycle values can be attained depending on switch type and conditions of use.

Sealing materials

The priority in sealing material selection is the chemical resistance. The temperature range only becomes a selection criterion when different sealing materials are suitable for the medium.

NBR (Buna-N)

This is the standard material most commonly used. It is a special SUCO material mix with high level of cold flexibility so that the sealing properties of the pressure switch are also retained at low temperatures.

NBR is denoted by number "1" in our order number.

EPDM

This material is the solution of choice for applications with brake fluids.

It is particularly suitable for applications with (process) water. Approval from the BAM (Federal Institute for Material Testing) is in place for oxygen applications. The safety regulations from country-specific authorities must be observed for oxygen applications.

EPDM may not come into contact with oil because this would entail swelling and softening of the material, and so failure of the pressure switch.

EPDM is denoted by number "2" in our order number.

EPDM with drinking water approval W270

This EPDM material is intended for drinking water applications and for use in medical and pharmaceutical applications. Approval as per code "DVGW Technical Codes, Worksheet W270" is in place for this.

EPDM may not come into contact with oil because this would entail swelling and softening of the material, and so failure of the pressure switch.

EPDM W270 is denoted by number "5" in our order number.

FKM / FPM (Viton®)

This is a diaphragm material suitable for high temperature exposure and exhibits special chemical resistance. It has been tested in the hydraulic sector and has been proven to work successfully with critical oils.

FKM/FPM is denoted by number "3" in our order number.

TPE (Thermoplastic elastomers)

This sealing material is available only for our electrical products of the Performance Series. TPE offers similar media compatibility like NBR, e.g. suitable for mineral oil and hydraulic fluids. Additionally the material can be used with diluted acids and bases and cold water, too.

TPE is denoted by number "7" in our order number.

ECO (epichlorhydrin)

ECO is only used in our vacuum switches. This material has similar properties to NBR in terms of chemical resistance, and can be used in gas applications as well as oil and fuel applications.

ECO is denoted by number "4" in our order number.

Silicone

Silicone is suitable for use within a wide temperature range. The SUCO silicone diaphragm is FDA-approved (Food & Drug Administration) for the food sector.

Silicone is a soft material reserved for sensitive applications in the low pressure range (below 10 bar) with maximum overpressure safety to 35 bar. Piston switches are therefore not offered with silicone seals. Silicone is also not suitable for oil applications.

Silicone is denoted by number "8" in our order number.

H-NBR

This is a special SUCO material mixture optimised for ester-based bio-oils. The multitude of bio-oils on the market means suitability of the material for the respective oil must be determined. This diaphragm material can also be used for a number of mineral and synthetic oils.

H-NBR is denoted by number "9" in our order number.

Medium compatibility

The specifications on medium compatibility in this catalogue cannot be generalised as they pertain to the sealing materials used in our pressure switches.

Saturated and superheated steam applications

The sealing materials mentioned are not suitable for saturated or superheated steam applications.

Conversion table for pressure units

Unit symbol	Unit name	Pa= N/m ²	bar	Torr	lbf/in ² , PSI
1 Pa = N/m ²	Pascal	1	0.00001	0.0075	0.00014
1 bar	Bar	100 000	1	750.062	14.5
1 Torr = 1 mm Hg	Millimetres, mercury column	133.322	0.00133	1	0.01934
1 lbf/in ² = 1 PSI	Pound-force per square inch	6894	0.06894	51.71	1

Conversion table for temperature units

	K	°C	F
K	1	K-273.15	9/5 K-459.67
°C	°C + 273.15	1	9/5 °C + 32
F	5/9 (F+459.67)	5/9 (F-32)	1

Please consult us about gas, water and oxygen applications.

Water applications

Standard piston switches are not suitable for water applications.

For pressure switches with stainless steel housing and standard EPDM seals SUCO type "3" (series 0187 and 0197) the use of clean water is allowed. Water with corrosion protection, water mixtures and emulsions needs to be clarified with SUCO (e.g. swelling of EPDM sealing could happen by water – oil mixture).

Pressure switches with stainless steel housings with EPDM-W270 diaphragm, SUCO type "5" are designed for the use of drinking water.

Gas applications

Our pressure switches are suitable for liquid and gaseous media. Gaseous media place particular demands on leak-tightness how ever. The leakage rate is dependent on the respective gaseous medium, the working pressure and the permeability of the seal material used in the pressure switch.

Their lower leakage rates mean diaphragm pressure switches are better suited for gas pressures than piston pressure switches. The latter can also be used however if certain measures are taken (such as venting of the housing). For gaseous applications below 10 bar (145 PSI) in combination with pressure switches with high IP class, i.e. IP 67 and IP 6k9k, in general we recommend to use ventilation. Please consult us; we are able to offer suitable solutions.

Oxygen applications

Our mechanical pressure switches are suitable for use with oxygen. We recommend the use of our EPDM diaphragm. The resistance to internal burnout of the diaphragm has been tested by the BAM (Federal Institute for Material Testing).

Pressure switches in steel housings with zinc-nickel coating are, in conjunction with oxygen, only approved to a maximum working pressure of 10 bar.

Pressure switches in brass housings are, in conjunction with oxygen, only approved to a maximum working pressure of 35 bar.

Pressure switches in stainless steel housings are, in conjunction with oxygen, only approved to a maximum working pressure of 50 bar.

DGUV accident prevention regulations (such as DGUV 500, Section 2.32 and BGI 617) must be observed for first operation.

Please specify when ordering "oil and grease-free, for use with oxygen".

Underpressure safety of pressure switches

Our pressure switches are underpressure safe down to 300 mbar (relative).

Overpressure safety of vacuum switches

Our vacuum switches are overpressure safe up to 20 or 35 bar depending on type.

cCSAus approval

Almost all of our mechanical pressure switches (sizes hex 24 and hex 27), and vacuum switch 0151, have cCSAus approval. The CSA mark together with "c" and "us" combines the control stamps for introduction onto the Canadian and American markets. The cCSAus certificate also includes the test of the relevant UL standard.

Checked by an official institution and verified with regular company visits by CSA inspectors, this approval guarantees the highest levels of quality and operational reliability for our products.

You can download the current cCSAus certificate from the download area on the homepage:
<http://www.suco.de/Downloads.htm>

Product information

The technical information in this catalogue is based upon fundamental testing during product development, as well as upon empirical values. The information cannot be used for all application scenarios.

Testing of the suitability of our products for a specific application (e.g. also the checking of material compatibilities) rests under the responsibility of the user. It may be the case that suitability can only be guaranteed with appropriate field testing.

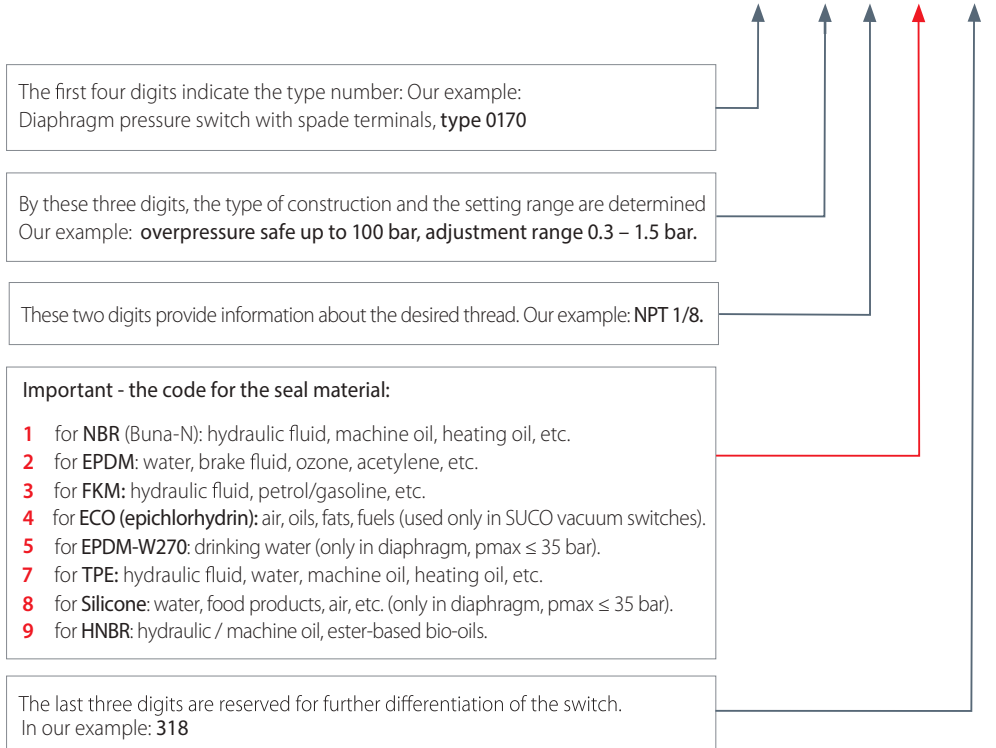
Subject to technical changes.

Order correctly – it's quite simple

Explanation of SUCO order numbers

P _{max.} in bar	Adjustment range in bar	Tolerance in bar at room temperature	Male thread	Order number
0170 Diaphragm pressure switches with spade terminal				
100 ¹⁾	0.3 – 1.5	± 0.2	G 1/4	0170 – 457 03 – X – 003
			M 10x1 con.	0170 – 457 01 – X – 001
			M 12x1.5 cyl.	0170 – 457 02 – X – 002
			NPT 1/8	0170 – 457 04 – X – 318
			NPT 1/4	0170 – 457 09 – X – 314
			7/16-20 UNF	0170 – 457 20 – X – 301
			9/16-18 UNF	0170 – 457 21 – X – 302

Order number: 0170 – 457 04 – X – 318



Abbreviated coding explanation is embossed on the hex surface areas of the pressure switches.

