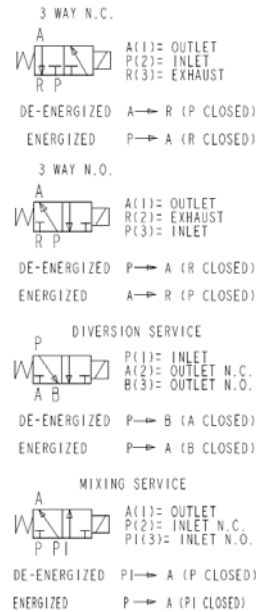
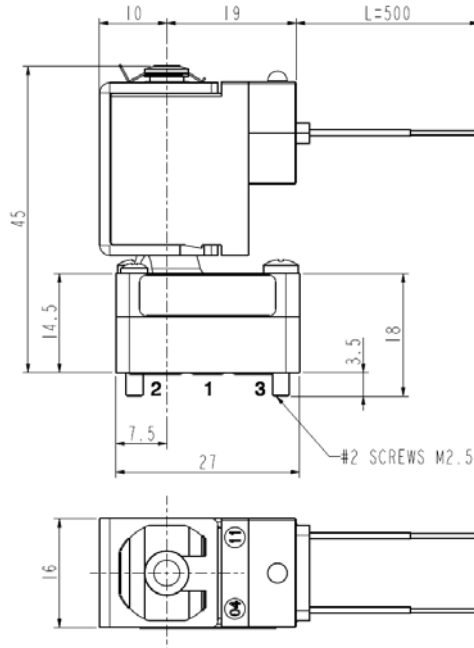




SOLENOID VALVE - DRY
3/2 - US (Universal service)
 Direct acting - Total isolation
 Sub-base

D351
VACUUM SERVICE



► **GENERAL FEATURES**

Total isolation micro solenoid valve: the actuator is totally isolated from the fluid so that the wetted parts are just the body and the diaphragm.

Reduced internal volume: 67µl. Possibility of disassembling for inspection. The parts subject to sliding friction are duly coated by PTFE (polytetrafluoroethylene) based self lubricating material. Suitable to shut off liquid and gaseous fluids (verify the compatibility of fluid with materials in contact).

► **TECHNICAL FEATURES**

Maximum allowable pressure (PS) 3 bar
 Opening time ~30ms (~50ms with vacuum)
 Closing time
 EPDM ~30ms (~50ms with vacuum)
 FPM ~60ms (~50ms with vacuum)
 FFPM ~90ms (~50ms with vacuum)
 Fluid temperature -10°C +60°C
 Max viscosity 5°E (~37 cStokes or mm²/s)

► **MATERIALS IN CONTACT WITH FLUID**

Body PEEK (Polyketones)
 Sealing EPDM or FPM or FFPM

► **COIL**

Continuous duty ED 100%
 Encapsulation material PA (polyamide) fiberglass reinforced
 Yoke External in zinc plated steel
 Insulation class F (155°C)
 Ambient temperature -10°C +60°C
 Electric connections N° 2 wires AWG 24
 Protection degree IP 66 (EN 60529)
 Voltages DC 24V (+10%; -5%)
 (Other voltages on request)

Port size ISO 228	Orifice size (mm)	Differential pressure (bar)				Kv (m ³ /h)	Series and type		Power absorption		Sealings	Notes	Weight (kg)	
		Δp min	Δp max				Valve	Coil	DC (W)					
			Gases		Liquids				Inrush	Holding				
			AC	DC	AC									DC
Sub-base	1,5	0	-	2,4	-	2,4	0,03	D351D10G	ZE37M	8	1,5	EPDM	1 - 2	0,040
								D351V10G				FPM		
								D351Z10G				FFPM		

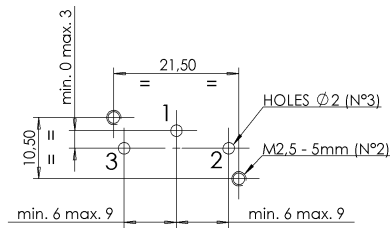
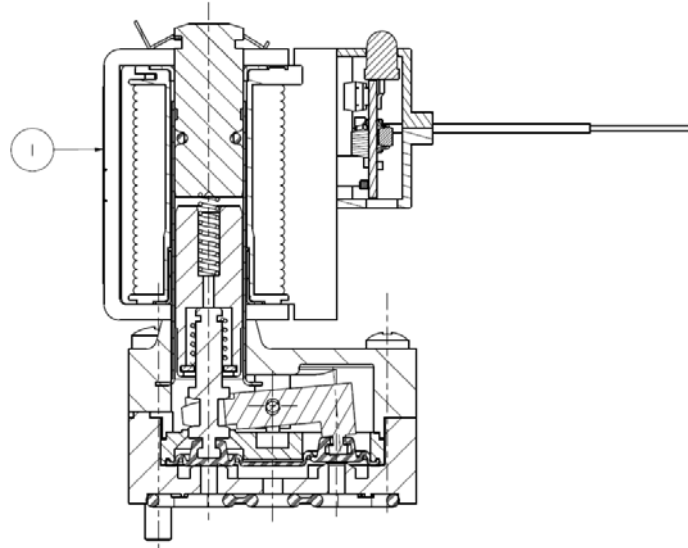
► **NOTES**

- Sealings: EPDM = Ethylene-propylene elastomer FPM = Fluoro-carbon elastomer FFPM = Perfluorate elastomer
- 1 - Suitable for vacuum at any port up to 730mmHg
- 2 - Coil with PWM power supply system: inrush power absorption 8W for 200 ms. Equipped with red LED for power supply signal.

D351

VACUUM SERVICE

► SPARE PARTS



MACHINING OF PLATE

Kit description

Coil

Kit P.N.

ZE37M

Consisting of:

Coil pos. 1

► MOUNTING

- Solenoid valve can be mounted in any position.
- Valves delivered with sealing O-rings.
- M2,5 screws for sub-base mountings have to be tightened at torque between 0,8 and 1,2 Nm.

THE VALIDITY OF REPORTED DATA IS REFERRED TO THE DATE OF ISSUE. POSSIBLE UPDATES ARE AVAILABLE ON REQUEST.