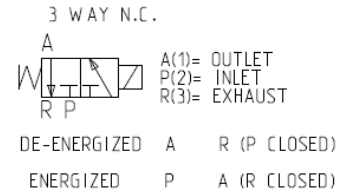
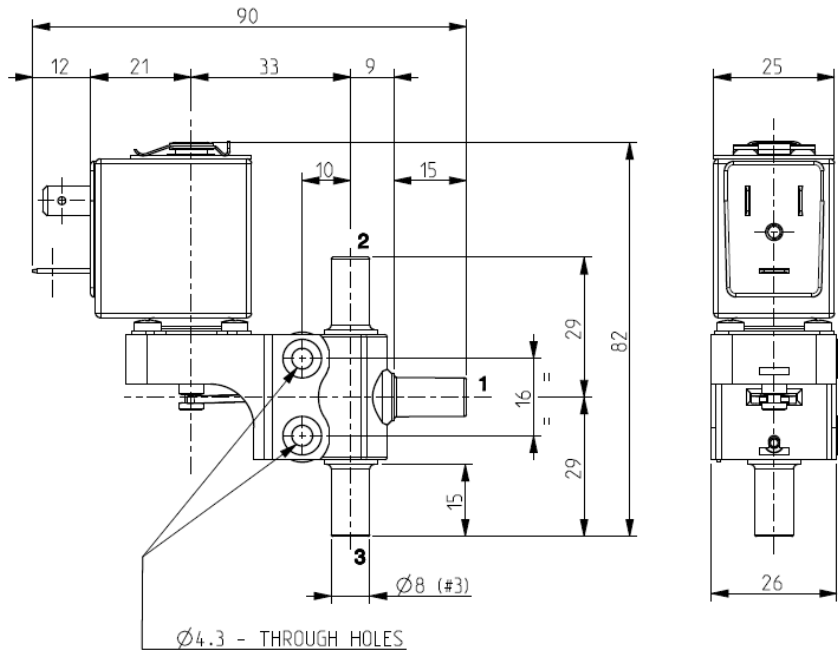




**SOLENOID VALVE - DRY**  
**3/2 – NC (Normally closed)**  
**Direct acting - Total isolation**  
**Barbed port**

**D318D05C**



► **GENERAL FEATURES**

Direct acting, total isolation solenoid valve: the actuator is totally isolated from the fluid so that the wetted parts are just the body and the lever-seal.

Possibility of disassembling for inspection.

Suitable to shut off liquid and gaseous fluids (verify the compatibility of fluid with materials in contact).

► **TECHNICAL FEATURES**

Maximum allowable pressure (PS) 12 bar  
Opening time ~ 25ms  
Closing time ~ 25ms  
Fluid temperature -10°C +100°C  
Ambient temperature -10°C +60 °C  
Max viscosity 5°E (~37 cStokes or mm<sup>2</sup>/s)

► **MATERIALS IN CONTACT WITH FLUID**

Body PEI (Polyetherimide)  
Sealing EPDM

► **COIL**

Continuous duty ED 100%  
Encapsulation material PET (polyethylene terephthalate) fiberglass reinforced  
Coil insulation class H (180°C)  
Electric connections DIN 46340 - 3 poles connector  
Protection degree IP 65 (EN 60529) with plug connector  
Voltages DC 12-24V (+10% -5%)  
(Other voltages on request)

Port size	Orifice size (mm)	Differential pressure (bar)				Kv (m <sup>3</sup> /h)	Series and type		Power absorption			Sealings	Notes	Weight (kg)	
		Δp min	Δp max				Valve	Coil	AC (VA)		DC (W)				
			Gases		Liquids				Inrush	Holding					
			AC	DC	AC										DC
Barbed port	3,4	0	-	1	-	1	0,30	D318D05C	Z614A	-	-	6	EPDM	1	0,180

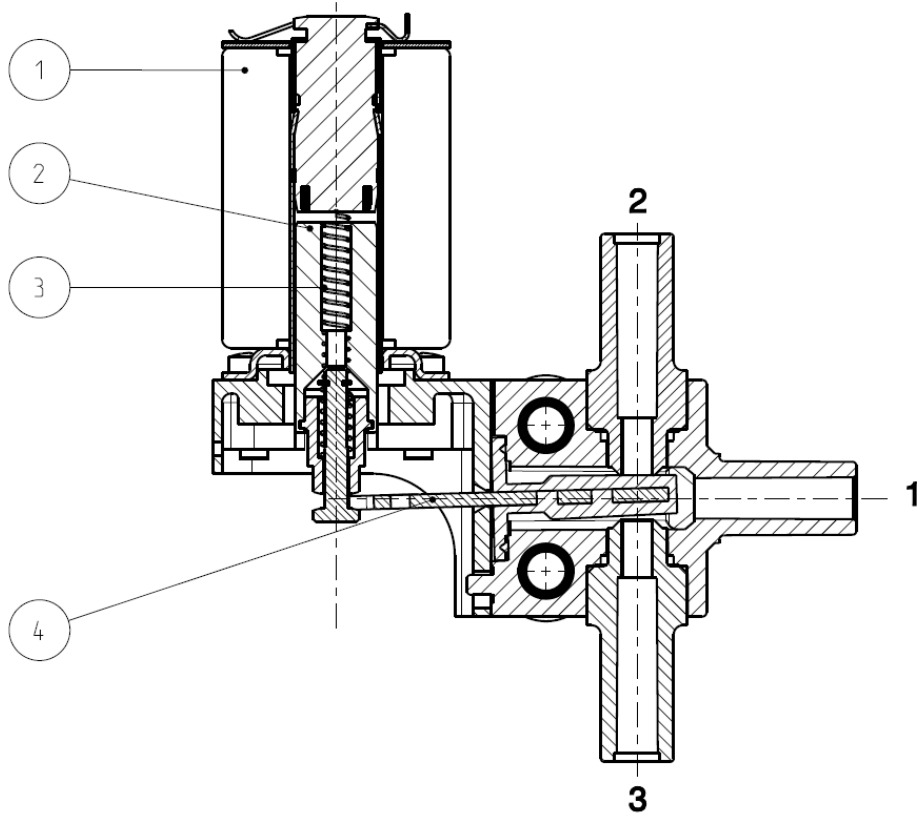
► **NOTES**

- Sealings : EPDM = Ethylene-propylene elastomer

1 - Suitable for diverting operation with Δp max=6 bar (inlet pressure at port 1 by using either port 2 or 3 as outlets free from throttling).

# D318D05C

## ► SPARE PARTS



Kit description	Kit P.N.	Consisting of:
Core kit	G3049604	Core pos.2 Core return spring pos.3
Lever seal	2815206R	Lever seal pos.4
Coil	Z614A	Coil pos. 1

## ► MOUNTING

- Solenoid valve can be mounted in any position.

THE VALIDITY OF REPORTED DATA IS REFERRED TO THE DATE OF ISSUE. POSSIBLE UPDATES ARE AVAILABLE ON REQUEST.