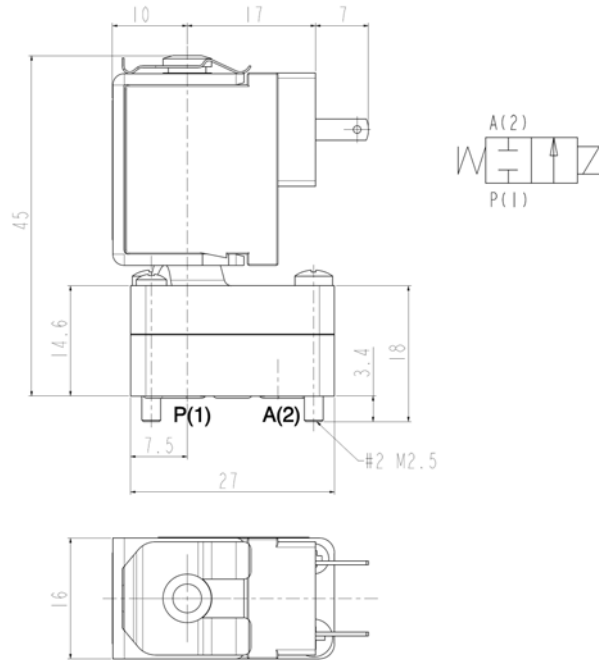




**MICRO SOLENOID VALVE - DRY**  
**2/2 - NC (Normally closed)**  
**Direct acting - Total isolation**  
**Sub-base**

**D151D04**



**► GENERAL FEATURES**

Total isolation micro solenoid valve: the actuator is totally isolated from the fluid so that the wetted parts are just the body and the diaphragm.  
 Reduced internal volume: 67 $\mu$ l. Possibility of disassembling for inspection.  
 The parts subject to sliding friction are duly coated by PTFE (polytetrafluoroethylene) based self lubricating material.  
 Suitable to shut off liquid and gaseous fluids (verify the compatibility of fluid with materials in contact).

**► TECHNICAL FEATURES**

*Maximum allowable pressure (PS)* 3 bar  
*Opening time* ~20ms  
*Closing time* ~30ms  
*Fluid temperature* -10°C +80°C  
*Max viscosity* 5°E (~37 cStokes or mm<sup>2</sup>/s)

**► MATERIALS IN CONTACT WITH FLUID**

*Body* PA 12 (polyamide)  
*Sealing* EPDM

**► COIL**

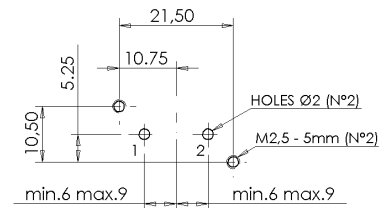
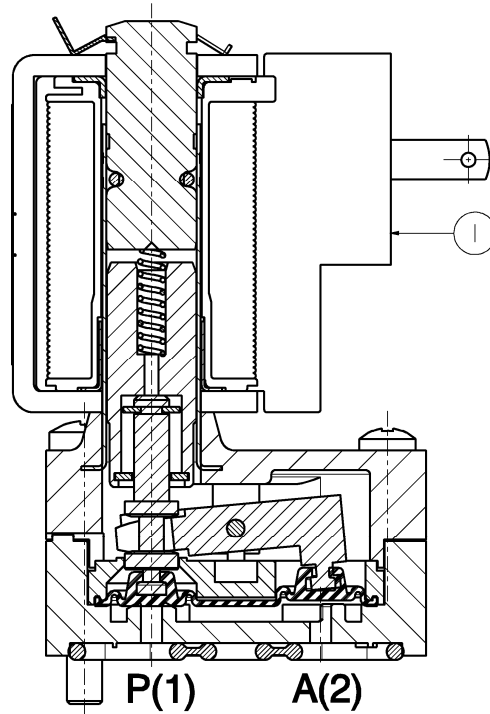
*Continuous duty* ED 100%  
*Encapsulation material* PA (polyamide) fiberglass reinforced  
*Yoke* External in zinc plated steel  
*Insulation class* F (155°C)  
*Ambient temperature* -10°C +60°C  
*Electric connections* DIN 46340  
*Protection degree* IP 40 (EN 60529) with female wire terminals 2,8x0,5 totally insulated  
*Voltages DC* 12-24V (+10% -5%) (Other voltages on request)

Port size	Orifice size (mm)	Differential pressure (bar)				Kv (m <sup>3</sup> /h)	Series and type		Power absorption			Sealings	Notes	Weight (kg)	
		$\Delta p$ min	$\Delta p$ max				Valve	Coil	AC (VA)		DC (W)				
			Gases		Liquids				Inrush	Holding					
			AC	DC	AC										DC
Sub-base	1,5	0	-	2	-	2	0,03	D151D04	ZE30A	-	-	4	EPDM	1	0,040

**► NOTES**

- Sealings: EPDM = Ethylene-propylene elastomer  
 1 - Suitable for vacuum at any port up to 530mmHg (0,7 bar)

## ► SPARE PARTS



MACHINING OF PLATE

### Kit description

Coil

### Kit P.N.

ZE30A

### Consisting of:

Coil pos. 1

## ► MOUNTING

- Solenoid valve can be mounted in any position.
- Valves delivered with sealing O-rings.
- M2,5 screws for sub-base mountings have to be tightened at torque between 0,8 and 1,2 Nm.