



MICRO SOLENOID VALVE

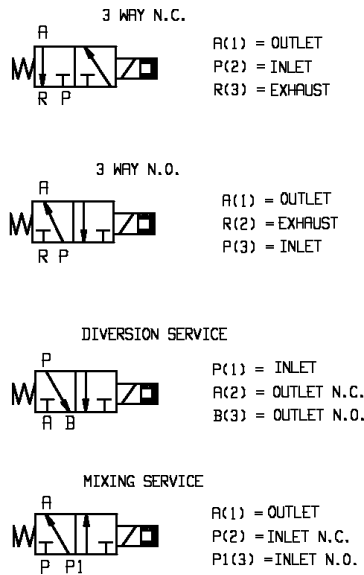
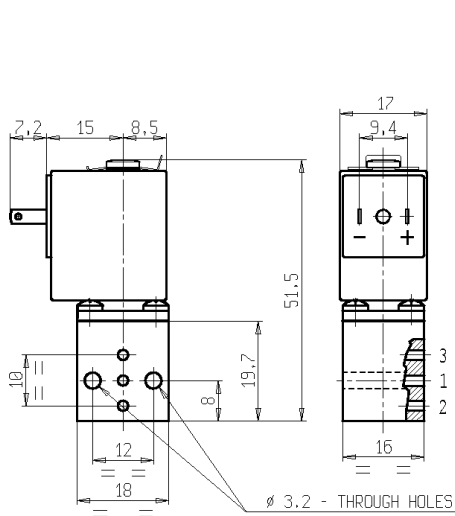
3/2 - US (Universal service)

Direct acting

Sub-base mounting

V367

LATCHING MODEL



► GENERAL FEATURES

Direct acting micro solenoid valve; minimum overall dimensions.
 Suitable for mounting on a sub-base or directly on the equipment.
 Valve delivered with sealing O-rings.
 Suitable to shut off liquid and gaseous fluids (verify the compatibility of fluid with materials in contact).

► TECHNICAL FEATURES

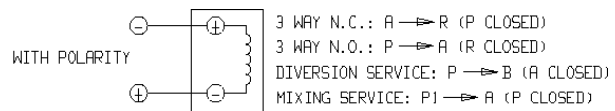
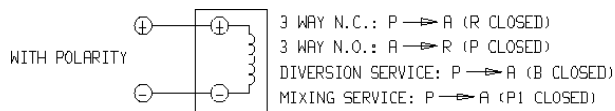
Maximum allowable pressure (PS) 16 bar
Opening time from ~5ms to ~10ms
Closing time from ~5ms to ~10ms
Fluid temperature -10°C +90°C
Max viscosity 3°E (22 cStokes o mm²/s)

► MATERIALS IN CONTACT WITH FLUID

Body Brass
Sealing NBR
Internal components Brass, PEI (Polyetherimide) and stainless steel
Seat Brass
Core tube Brass
Shading ring Copper

► COIL

Duty Latching model, polarized type, operating by impulses
Minimum energizing time 20ms
Encapsulation material PP-V0 (self-extinguishing polypropylene)
Insulation class A (105°C)
Ambient temperature -10°C +60°C
Electric connections DIN 46340 - 3 poles micro plug connector
Protection degree IP 65 (EN60529) with micro plug connector
Voltages DC 6-12V (+10% -10%)
 (Other voltages on request)

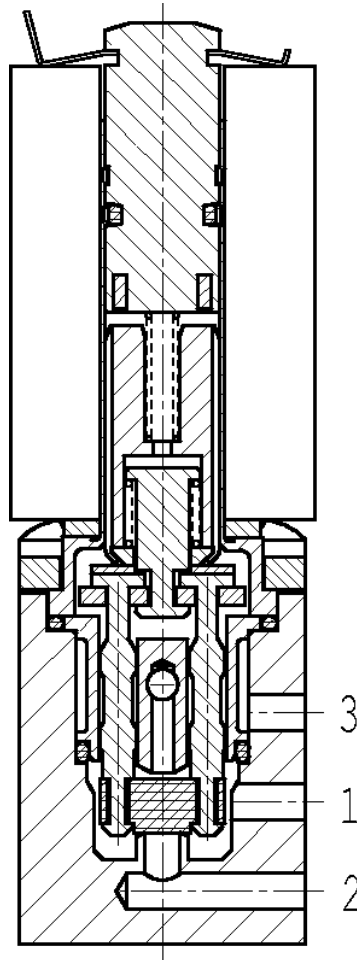


| Port size | Orifice size (mm) | Differential pressure (bar) | | | | Kv (m ³ /h) | Series and type | | Power absorption | | | Sealings | Notes | Weight (kg) | |
|-----------|-------------------|-----------------------------|--------|-----|-------|------------------------|-----------------|----------|------------------|--------|---|----------|-------|-------------|-------|
| | | Δp min | Δp max | | Valve | | Coil | AC (VA) | | DC (W) | | | | | |
| | | | Gases | | | | | Inrush | Holding | | | | | | |
| | | | AC | DC | | | | | | | | | | | |
| - | 1,2 | 0 | - | 2,5 | - | 2,5 | 0,04 | V367B01G | Z070A | - | - | 3 | NBR | 1 | 0,090 |

► NOTES

- These micro-solenoid valves are not suitable for stagnating media subject to vaporization which deposit solid, calcareous, incrusting residues or similar.
 - Sealings: NBR = Nitrile-butylene elastomer.
 1 - If used as NO only, the maximum operating pressure is 6 bar.

► SECTIONAL VIEW



► INSTALLATION

- Solenoid valve can be mounted in any position; vertical with coil upwards preferred.