



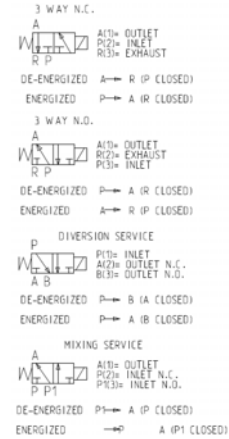
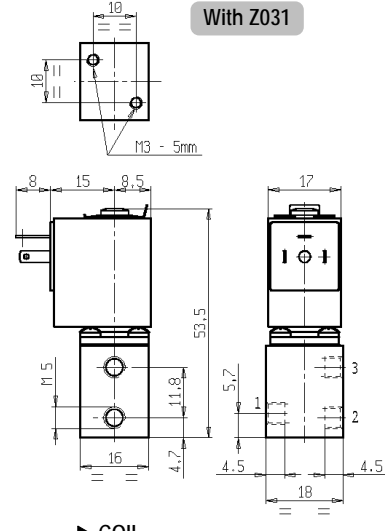
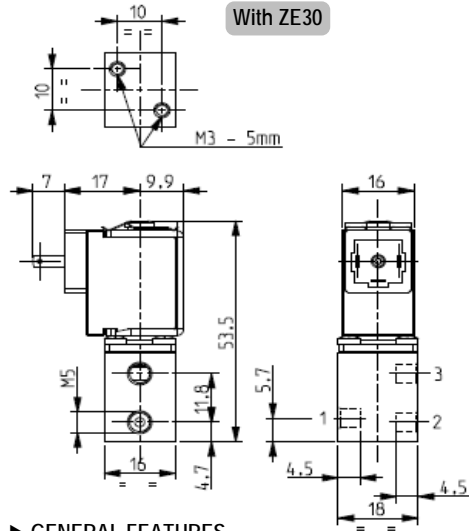
MICRO SOLENOID VALVE

3/2 - NC - NO - US (Universal service)

Direct acting

M5

V365



► GENERAL FEATURES

Direct acting micro solenoid valve. Minimum overall dimensions, quick response time and high number of cycles.
Suitable to shut off liquid and gaseous fluids (verify the compatibility of fluid with materials in contact).

► TECHNICAL FEATURES

Maximum allowable pressure (PS) 16 bar
Opening time from ~ 5ms to ~ 10ms
Closing time from ~ 5ms to ~ 10ms
Fluid temperature -10°C +90°C (NBR)
 0°C +90°C (FPM)
Max viscosity 3°E (22 cStokes or mm²/s)

► MATERIALS IN CONTACT WITH FLUID

Body Brass
Sealing NBR or FPM
Internal components Brass, PEI (Polyetherimide) and stainless steel
Seat 1 ↔ 2: Brass - 1 ↔ 3: PEI
Core tube Brass
Shading ring Copper (V365B08C – V365B08A)

► COIL

Continuous duty ED 100%
Encapsulation material PA (Polyamide) fiberglass reinforced
Insulation class F (155°C)
Ambient temperature -10°C +60°C
Electric connections DIN 46340 – micro plug connector
Protection degree IP 65 (EN 60529) with micro plug connector
Voltages ZE30 DC: 12-24V Z031 AC: 24V/50Hz
 (+10% - 5%) (+10% -15%)
 (Other voltages and frequencies on request; the windings in AC are designed for max voltage 24V only)

Port size ISO UNI 4534	Orifice size (mm)	Δp min	Differential pressure (bar)				K _v (m ³ /h)	Series and type		Power absorption			Sealings	Notes	Weight (kg)
			Δp max					Valve	Coil	AC (VA)		DC (W)			
			Gases		Liquids					Inrush	Holding				
AC	DC	AC	DC												
M5	1,2	0	-	6	-	6	0,04	V365B05C	ZE30C	-	-	2,5	NBR	NC	0,090
			-	8	-	8		V365B01C	ZE30A			4			
			8	-	8	-		V365B08C	Z031A	6	5	-			
			-	6	-	6		V365B01A	ZE30C	-	-	2,5			
			-	8	-	8			ZE30A			4			
			8	-	8	-		V365B08A	Z031A	6	5	-			
	2	0	-	6	-	6	0,08	V365B01G	ZE30A	-	-	4	FPM	US	
			-	6	-	6		V365V01G							
			-	2,5	-	2,5		V365B01C					NBR	NC	
			-	1,5	-	1,5		V365B01G					US		
			-	1,5	-	1,5		V365V01G					FPM	US-1	
			-	1,5	-	1,5		V365V01G					US-1		

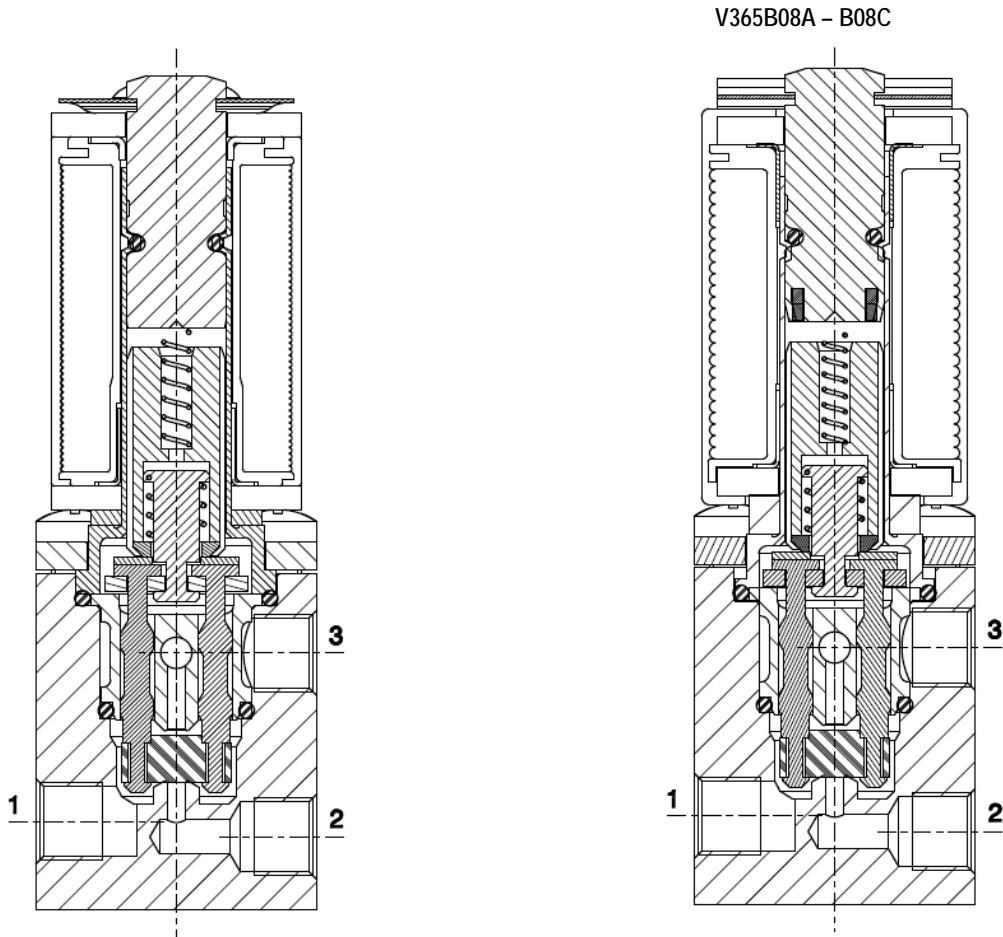
► NOTE

- These micro-solenoid valves are not suitable for stagnating media subject to vaporization which deposit solid, calcareous, incrusting residues or similar.
 - Sealings: NBR = Nitrile-butylene elastomer FPM = Fluoro-carbon elastomer.

1 - Model available only on request; ask for minimum quantity.

V365

► SECTIONAL VIEW



► INSTALLATION

- Solenoid valve can be mounted in any position; vertical with coil upwards preferred.

THE VALIDITY OF REPORTED DATA IS REFERRED TO THE DATE OF ISSUE. POSSIBLE UPDATES ARE AVAILABLE ON REQUEST.