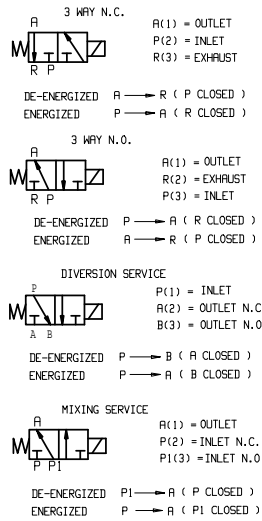
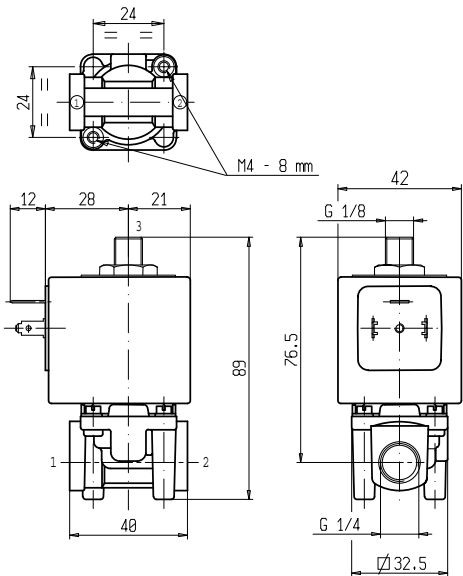




SOLENOID VALVE
3/2 - NC - UF (Universal function)
 Direct acting
G 1/4

L339



► **GENERAL FEATURES**

Direct acting solenoid valve.
 Suitable to shut off liquid and gaseous fluids (verify the compatibility of fluid with materials in contact).

► **TECHNICAL FEATURES**

Maximum allowable pressure (PS) 20 bar
Opening time ~15ms
Closing time ~15ms
Fluid temperature -10°C +90°C (NBR)
 0°C +130°C (FPM)
Max viscosity 5°E (~37 cStokes or mm²/s)

► **MATERIALS IN CONTACT WITH FLUID**

Body Brass
Sealing NBR or FPM
Internal components Stainless steel
Seat Brass
Core tube Stainless steel
Shading coil Copper

► **COIL**

Continuous duty ED 100%
Encapsulation material PET (polyethylene terephthalate) fiberglass reinforced
Insulation class F (140°C) on request class H (165°C) - UL
Ambient temperature -10°C +60°C
Electric connections DIN 46340 - 3 poles connectors (DIN 43650)
Protection degree IP 65 (EN 60529) with plug connector
Voltages DC 12-24V (+10% -5%)
AC 24V/50Hz - 110V/50Hz (120V/60Hz) - 230V/50Hz (+10% -15%)
 (Other voltages and frequencies on request).

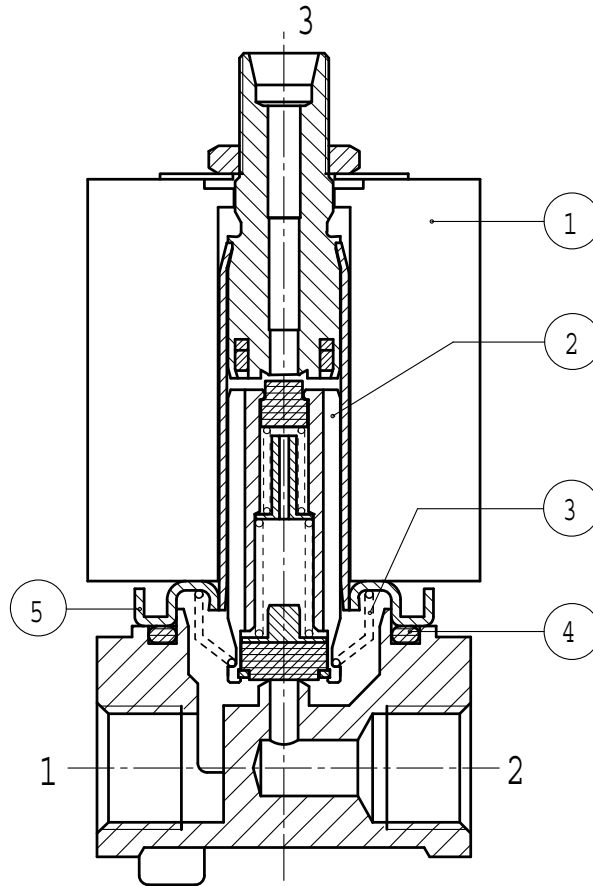
Port size ISO 228	Orifice size (mm)	Differential pressure (bar)				Kv (m ³ /h)	Series and type		Power absorption			Sealings	Function Notes	Weight (kg)	
		Δp min	Δp max				Valve	Coil	AC (VA)		DC (W)				
			Gases		Liquids				Inrush	Holding					
			AC	DC	AC										DC
G 1/4	2,3	0	10	10	10	10	0,17	L339B05C	Z130A	44	24	13	NBR	NC	0,500
	3		4	4	3,5	3,5	0,26	L339V05G					FPM	US - 1	

► **NOTES**

- Sealings : NBR = Nitrile-butylene elastomer FPM = Fluoro-carbon elastomer
 - NC: Normally closed UF: Universal function
 1 - The use of the solenoid valve as N.O., without any outlet restriction, reduces the max pressure to the 50% of the rated value.

L339

► SPARE PARTS



Kit description

Core kit

L339B05C
L339V05G

Kit P.N.

G2879201
G2879402

Consisting of:

Core pos. 2
OR guide assembly pos. 4

Core return spring kit

L339B05C
L339V05G

G2908601
G2876301

N.10 core return spring pos. 3

OR guide assembly kit

L339B05C
L339V05G

GU2421000059
GU2424000059

N.10 OR guide assembly pos. 4

Guide assembly

L339... Ø 2,3
L339... Ø 3

3078901R
3078902R

Guide assembly pos. 5

Coil

Z130A

Coil pos. 1

► INSTALLATION

Solenoid valve can be mounted in any position; vertical with coil upwards preferred.

THE VALIDITY OF REPORTED DATA IS REFERRED TO THE DATE OF ISSUE. POSSIBLE UPDATES ARE AVAILABLE ON REQUEST.