



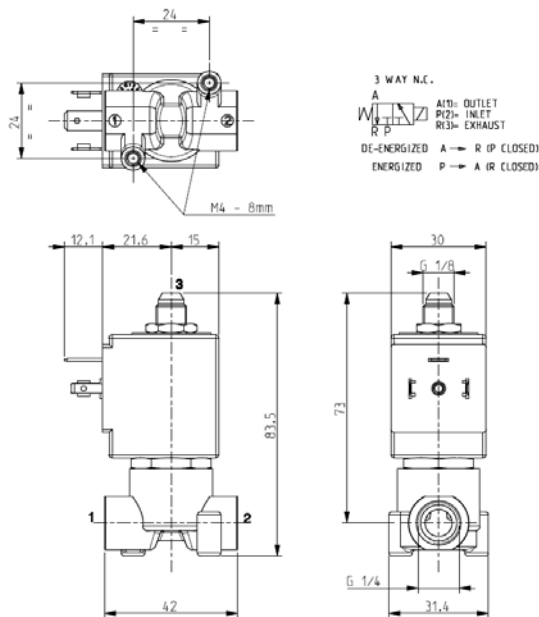
# SOLENOID VALVE

## 3/2 - NC (Normally closed)

### Direct acting

### G 1/4

# L321D01C-V01C



#### ► GENERAL FEATURES

Direct acting solenoid valve.  
Suitable to shut off liquid and gaseous fluids (verify the compatibility of fluid with materials in contact).

#### ► TECHNICAL FEATURES

Maximum allowable pressure (PS) 40 bar  
Opening time ~20ms  
Closing time ~20ms  
Fluid temperature  
-10°C +140°C (EPDM)  
0°C +130°C (FPM)  
Max viscosity 5°E (~37 cStokes or mm<sup>2</sup>/s)

#### ► APPROVALS

UL (Class F) approval – for UL c.l.H: ZA34  
IMQ CSV approval, see ZA10 data sheet for further details  
Compliant with MD 174/2004 and Reg. CE 1935/2004

#### ► MATERIALS IN CONTACT WITH FLUID

Body Brass  
Sealing EPDM / FPM  
Internal components Stainless steel  
Seat Stainless steel  
Guide assembly Stainless steel  
Shading ring Copper

#### ► COIL

Continuous duty ED 100%  
Encapsulation material PPS (Polyphenylsulfure) fiberglass reinforced  
Coil insulation class F (155°C) on request class H (180°C)  
Ambient temperature -10°C +50°C  
Electric connections DIN 46340 - 3 poles connectors (EN175301-803)  
Protection degree IP 67 (EN 60529) with plug connector  
Voltages DC ZA10G: 12-24V (+10% -5%)  
AC ZA10A: 24V/50Hz - 110V/50Hz (120V/60Hz) - 230V/50Hz (+10% -15%)  
(Other voltages and frequencies on request)



Port size ISO 228	Orifice size (mm)	Differential pressure (bar)				Kv (m <sup>3</sup> /h)	Series and type		Power absorption			Sealings	Notes	Weight (kg)	
		Δp min	Δp max				Valve	Coil	AC (VA)		DC (W)				
			Gases		Liquids				Inrush	Holding					
			AC	DC	AC										DC
G 1/4	3,2	0	3	-	3	-	L321D01C	ZA10A	23	14	-	1	0,300		
			-	3	-	3		ZA10G	-	-	12				
			3	-	3	-	L321V01C	ZA10A	23	14	-				
			-	3	-	3		ZA10G	-	-	12			FPM	

#### ► NOTES

- Sealings : EPDM=Ethylene-propylene elastomer
- Upper exhaust (3) with seat diameter 2,3 mm
- IMQ CSV approval, see ZA10 datasheet for further details
- UL approved coil (E153691)
- 1 - On request special coils ZA10X, class "F", with UL homologated windings – see overleaf.

# L321D01C-V01C

► COILS FOR SPECIAL VOLTAGES ZA10X – ZA10B

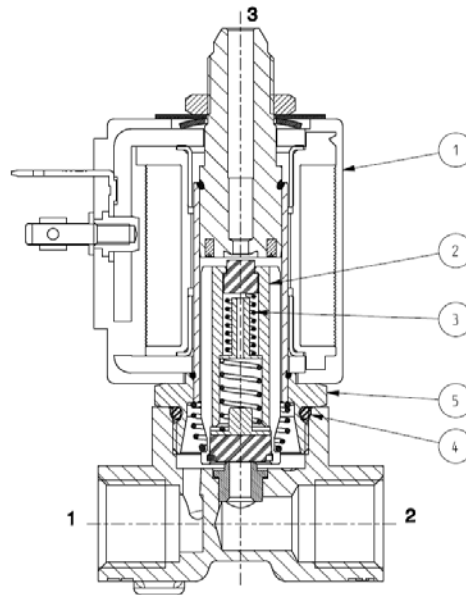
<i>Approval</i>	UL (class F); see voltages	<i>Ambient temperature</i>	DIN 46340 - 3 poles connectors (EN175301-803)
<i>Continuous duty</i>	ED 100%	<i>Electric connections</i>	IP 67 (EN 60529) with plug connector
<i>Encapsulation material</i>	PPS (Polyphenilsulfure) fiberglass reinforced	<i>Voltages DC</i>	ZA10B: 24V (UL)
<i>Coil insulation class</i>	F (155°C)	<i>AC</i>	ZA10X: 24V/50-60Hz (UL) ▪ 100V/50-60Hz ▪ 115-120V/60Hz ▪ 200V/50-60Hz ▪ 220-230V/50Hz - 208-240V/60Hz (UL) ▪ 220-240V/50Hz (UL) ▪ (+10% -15%)
<i>Ambient temperature</i>	-10°C +50°C		

Port size ISO 228	Orifice size (mm)	Differential pressure (bar)				Kv (m³/h)	Series and type		Power absorption			Sealings	Notes	Weight (kg)	
		Δp min	Δp max				Valve	Coil	AC (VA)		DC (W)				
			Gases		Liquids				Inrush	Holding					
			AC	DC	AC										DC
G 1/4	3,2	0	3	-	3	-	L321D01C	ZA10X	23	14	-	EPDM	-	0,310	
			-	3	-	3		ZA10B	-	-	10				
			3	-	3	-	L321V01C	ZA10X	23	14	-				
			-	3	-	3		ZA10B	-	-	10				

► NOTES

- Sealings : EPDM=Ethylene-propylene elastomer
- Upper exhaust (3) with seat diameter 2,3 mm

► SPARE PARTS



Kit description

Kit description	Kit P.N.	Consisting of:
Core kit	L321D01 L321V01	G3038401 G3038404
Core return spring kit		G3065701
OR guide assembly kit	L321D01 L321V01	GU2446000017 GU2424000017
Guide assembly		297779-001R
Coil	ZA10A ZA10G ZA10X ZA10B	

► MOUNTING

Solenoid valve can be mounted in any position; vertical with coil upwards preferred.

THE VALIDITY OF REPORTED DATA IS REFERRED TO THE DATE OF ISSUE. POSSIBLE UPDATES ARE AVAILABLE ON REQUEST.