



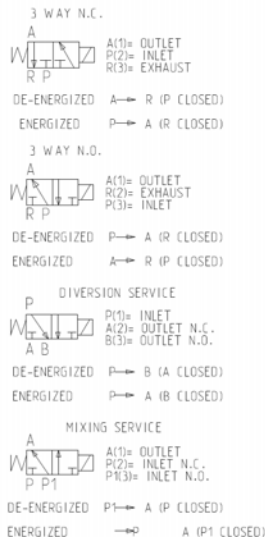
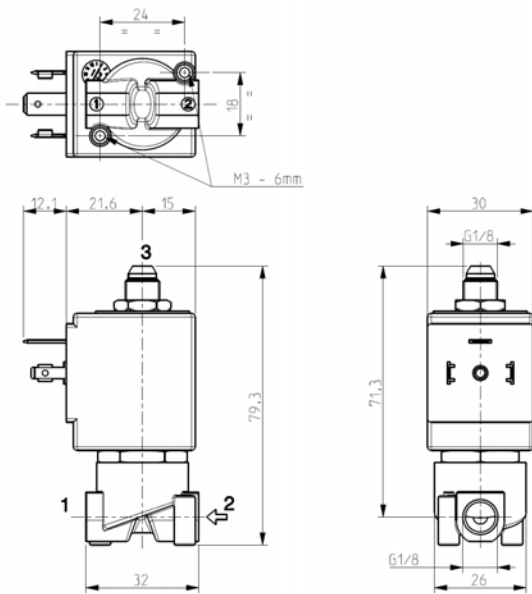
SOLENOID VALVE

3/2 – NC – U (Universal)

Direct acting

G 1/8

L320



► GENERAL FEATURES

Direct acting solenoid valve.
Suitable to shut off liquid and gaseous fluids; particularly suitable to shut off overheated water and steam (verify the compatibility of fluid with the material in contact).

► TECHNICAL FEATURES

Maximum allowable pressure (PS) 40 bar
Opening time ~20ms
Closing time ~20ms
Fluid temperature 0°C +130°C
Max viscosity 5°E (~37 cStokes or mm²/s)

► MATERIALS IN CONTACT WITH FLUID

Body Brass
Sealing FPM
Internal components Stainless steel
Seat Stainless steel
Guide assembly Stainless steel
Shading coil Copper

► COIL

Approval UL (class F) – for UL cl.H: ZA34
Continuous duty ED 100%
Encapsulation material PPS (Polyphenylsulfure) fiberglass reinforced
Coil insulation class F (155°C) on request class H (180°C)
Ambient temperature -10°C +50°C
Electric connections DIN 46340 - 3 poles connectors (EN175301-803)
Protection degree IP 67 (EN 60529) with plug connector
Voltages DC ZA10G: 12-24V (+10% -5%)
AC ZA10A: 24V/50Hz - 110V/50Hz (120V/60Hz) - 230V/50Hz (+10% -15%)
(Other voltages and frequencies on request)

Port size ISO 228	Orifice size (mm)	Differential pressure (bar)				Kv (m ³ /h)	Series and type		Power absorption			Sealings	Notes	Weight (kg)	
		Δp min	Δp max				Valve	Coil	AC (VA)		DC (W)				
			Gases		Liquids				Inrush	Holding					
			AC	DC	AC										DC
G 1/8	1,6	0	13	-	13	-	L320V01C	ZA10A	23	14	-	FPM	1-2-3	0,240	
			-	13	-	13		ZA10G	-	-	12				
	2,3		5	-	5	-	L320V01G	ZA10A	23	14	-				
			-	5	-	5		ZA10G	-	-	12				

► NOTES

- Sealings : FPM = Fluoro-carbon elastomer
- NC: Normally closed NO: Normally open U: Universal
- IMQ CSV approval, see ZA10 datasheet for further details
- UL approved coil (E153691)
- 1 - Upper exhaust (3) with seat diameter 2,3 mm.
- 2 - Only for use with steam, consider following values: PSmax 2,8 bar (max fluid temperature 130°).
- 3 - On request special coils ZA10X or ZA10B, class "F", with UL homologated windings – see overleaf.

L320

► COILS FOR SPECIAL VOLTAGES ZA10X – ZA10B

Approval UL (class F) see voltages
 Continuous duty ED 100%
 Encapsulation material PPS (Polyphenilsulfure) fiberglass reinforced
 Coil insulation class F (155°C)
 Ambient temperature -10°C +50°C

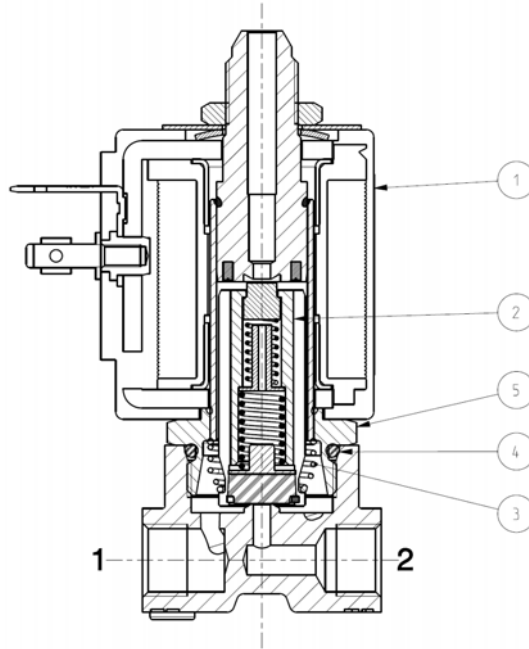
Electric connections DIN 46340 - 3 poles connectors (EN175301-803)
 Protection degree IP 67 (EN 60529) with plug connector
 Voltages DC ZA10B: 24V (UL)
 AC ZA10X: 24V/50-60Hz (UL) ▪ 100V/50-60Hz ▪ 115-120V/60Hz ▪ 200V/50-60Hz ▪ 220-230V/50Hz - 208-240V/60Hz (UL) ▪ 220-240V/50Hz (UL) ▪ (+10% -15%)

Port size ISO 228	Orifice size (mm)	Differential pressure (bar)				Kv (m³/h)	Series and type		Power absorption			Sealings	Notes	Weight (kg)
		Δp min	Δp max		Valve		Coil	AC (VA)		DC (W)				
			Gases	Liquids				Inrush	Holding					
G1/8	1,6	0	13	-	13	-	L320V01C	ZA10X	23	14	-	FPM	1-2	0,250
			-	13	-	13		ZA10B	-	-	10			
			5	-	5	-	ZA10X	23	14	-				
	2,3		-	5	-	5	L320V01G	ZA10B	-	-	10			
			-	5	-	5		ZA10X	23	14	-			

► NOTES

- Sealings : FPM = Fluoro-carbon elastomer
- NC: Normally closed NO: Normally open U: Universal
- 1 - Upper exhaust (3) with seat diameter 2,3 mm
- 2 - Only for use with steam, consider following values: PSmax 2,8 bar (max fluid temperature 130°C).

► SPARE PARTS



Kit description

Core kit

L320V01C	G3027803
L320V01G	G3065101

Consisting of:

Core pos. 2
 Core return spring pos. 3
 OR guide assembly pos. 4

Core return spring kit

L320V01C	G3127201
L320V01G	G3022401

N.10 core return spring pos. 3

OR guide assembly kit

GU2424000017

N.10 OR guide assembly pos. 4

Guide assembly

297779-001R

Guide assembly pos. 5

Coil

ZA10A
ZA10G
ZA10X
ZA10B

Coil pos.1

► MOUNTING

Solenoid valve can be mounted in any position; vertical with coil upwards preferred.