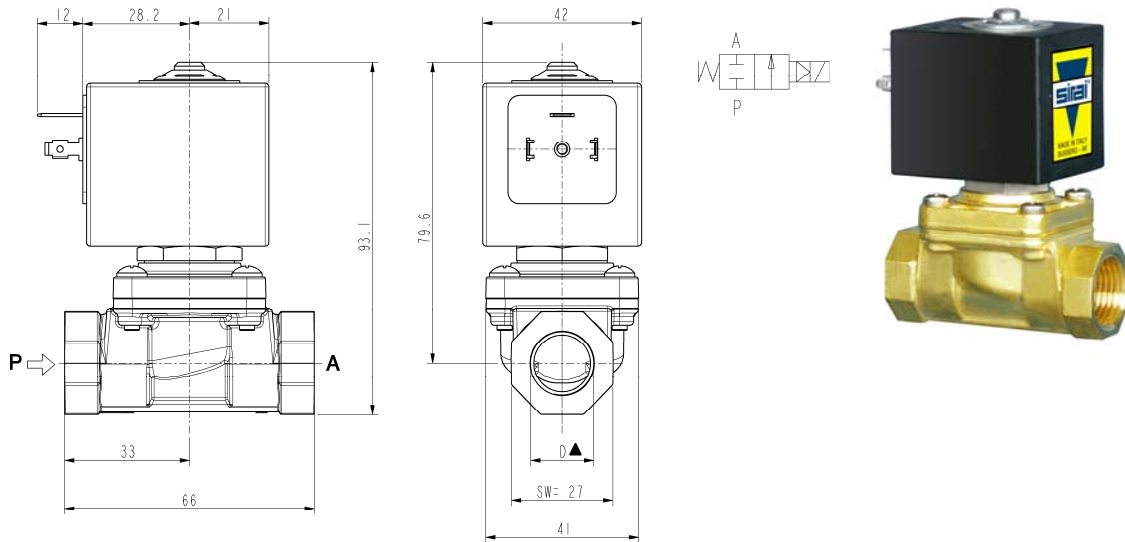




**SOLENOID VALVE**  
**2/2 - NC (Normally closed)**  
**Pilot operated hung diaphragm**  
**G 3/8 – G1/2**

**L153-D12**



► **GENERAL FEATURES**

Pilot operated hung diaphragm solenoid valve, with full orifice.  
 Suitable to shut off liquid and gaseous fluids; particularly suitable to shut off overheated water and steam (verify the compatibility of fluid with materials in contact).

► **TECHNICAL FEATURES**

*Maximum allowable pressure (PS)* 16 bar  
*Opening time* from ~100ms to ~150ms  
*Closing time* from ~100ms to ~400ms  
*Fluid temperature* -10°C +140°C  
*Max viscosity* 5°E (~37 cStokes or mm<sup>2</sup>/s)

► **MATERIALS IN CONTACT WITH FLUID**

<i>Body</i>	Brass
<i>Sealing</i>	EPDM
<i>Diaphragm</i>	PTFE
<i>Internal components</i>	Stainless steel
<i>Seat</i>	Stainless steel
<i>Core tube</i>	Stainless steel
<i>Shading coil</i>	Copper

► **COIL**

<i>Continuous duty</i>	ED 100%
<i>Encapsulation material</i>	PET (Polyethylene terephthalate) fiberglass reinforced
<i>Coil insulation</i>	H (165°C) - UL
<i>Ambient temperature</i>	-10°C +80°C
<i>Electric connections</i>	DIN 46340 - 3 poles connectors (EN175301-803)
<i>Protection degree</i>	IP 65 (EN 60529) with plug connector
<i>Voltages</i> DC	12-24V (+10% -5%) (Other voltages on request).

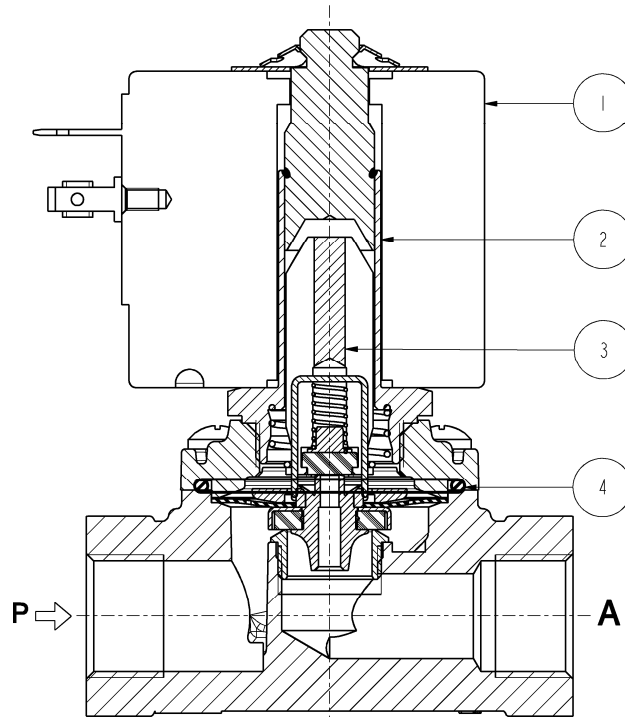
▲ Port size ISO 228	Orifice size (mm)	Differential pressure (bar)				Kv (m <sup>3</sup> /h)	Series and type		Power absorption			Sealings	Function Notes	Weight (kg)	
		Δp min	Δp max				Valve	Coil	AC (VA)		DC (W)				
			Gases		Liquids				Inrush	Holding					
			AC	DC	AC										DC
G3/8	11,5	0	-	3	-	3	1,55	L153D12	Z134A	-	-	13	EPDM	1-2	0,660
G1/2			1,6												

► **NOTES**

- Sealings : EPDM = Ethylene-propylene elastomer
- 1 - The valves can operate in vacuum conditions at 0 bar absolute downstream.
- 2 - On request Z130A coil encapsulated in PET (Polyethylene terephthalate) in class "F" (+140°C): maximum fluid temperature +100°C, maximum ambient temperature +60°C.

# L153-D12

## ► SPARE PARTS



### Kit description

### Kit P.N.

### Consisting of:

Diaphragm core kit

G3142101

Core and sealing disc kit pos.3  
OR guide assembly pos. 4

Guide assembly

299871-001R

Guide assembly pos. 2

Coil

Z134A

Coil pos. 1

## ► INSTALLATION

Solenoid valve can be mounted in any position; vertical with coil upwards preferred.

THE VALIDITY OF REPORTED DATA IS REFERRED TO THE DATE OF ISSUE. POSSIBLE UPDATES ARE AVAILABLE ON REQUEST.