



Data sheet, pneumatic actuator APD / APS - 350

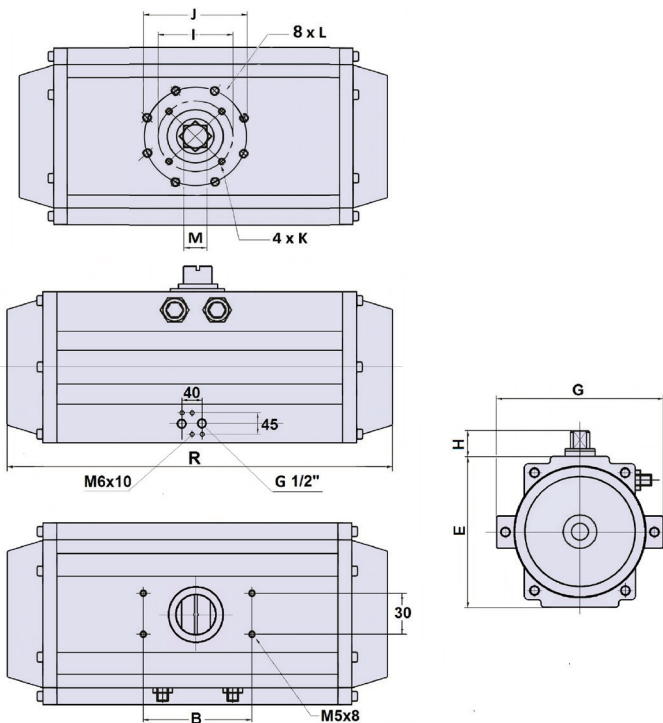


Table of dimensions

Actuator type	B	C	D	E	G	H	I	J	K	L	M x depth	R
APD/APS-350	130	-	-	408	460	30	165	254	M20x 25	M16x25	55 x 60	888

Torque-table double-acting, type APD (Nm)

Actuator type	Control pressure Pst (bar)											
	2	2,5	3	3,5	4	4,5	5	5,5	6	7	8	
APD - 350	2285	2856	3428	3999	4570	5141	5713	6284	6855	7998	9140	

Torque-table single-acting, type APS (Nm)

Actuator type	No. springs	Pneumatic applied torque Md (Nm) at minimum control pressure Pst (bar)																						
		Md F (Nm)		2,5		3		3,5		4		4,5		5		5,5		6		7		8		
		min	max	min	max	min	max	min	max	min	max	min	max	min	max	min	max	min	max	min	max			
APS - 350	4	938	1361	1495	1918	2067	2490																	
	5	1173	1702	1154	1683	1726	2255																	
	6	1408	2043			1385	2020	1956	2591															
	7	1640	2383			1045	1788	1616	2359	2187	2930													
	8	1877	2714					1285	2122	1856	2693	2427	3264											
	9	2112	3064							1506	2458	2077	3029	2649	3601									
	10	2346	3405										1736	2795	2308	3367	2879	3938						
	11	2581	3745												1968	3132	2539	3703	3110	4274				
	12	2816	4086														2198	3468	2769	4039	3912	5182	5054	6324

Weight, air consumption, switch times: Double-acting, type APD, single-acting, type APS

Actuator type	Weight (kg)	Volume (l)	Switch time (sek.)	Ambient temperature	
				Standard	High-temp.
APD -350	205	81	42	-35 to +80°C	-15° to +150°C
APS -350	258	35	78		

\*Quoted switch times are guidelines for a double-stroke at 5 bar control pressure and at 50% rated loading.  
 With high valve actuating speeds potentially dangerous large braking forces can arise in the actuator end positions.  
 Tip: Throttle the exhaust air or select a larger actuator.

Ordering code

**APD - 350 / 090 - V55 - H**  
**APS - 350 / 090 - 06\* - V55 - H**  
 \* The number of springs ( 4 up to 12 pcs. ) must be matched to the control pressure beforehand.

