



Data sheet, pneumatic actuator APD / APS – 270

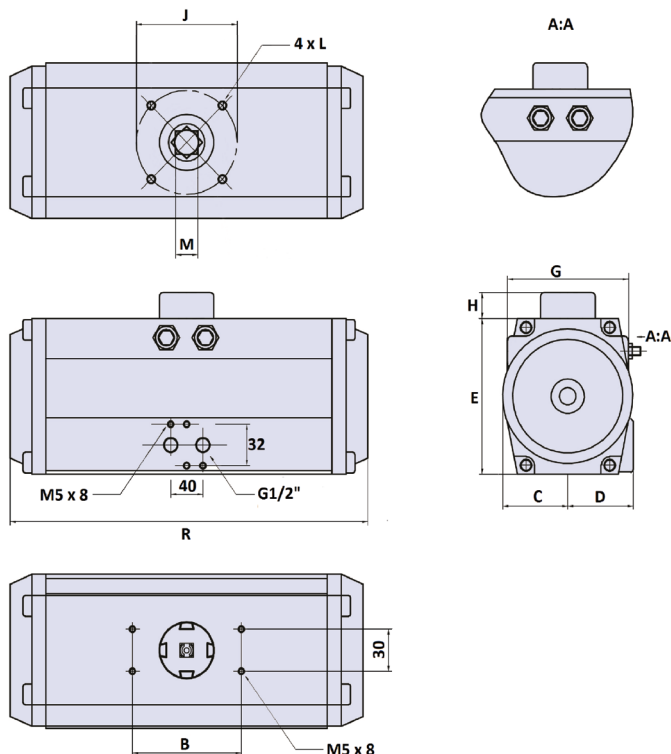


Table of dimensions

Actuator type	B	C	D	E	G	H	I	J	K	L	M x depth	R
APD/APS-270	130	147	147	326	273	30	-	Ø165	-	M20x25	46 x 50	722

Torque-table double-acting, type APD (Nm)

Actuator type	Steuerdruck Pst (bar)										
	2	2,5	3	3,5	4	4,5	5	5,5	6	7	8
APD - 270	1170	1462	1755	2047	2339	2632	2924	3216	3509	4094	4678

Torque-table single-acting, type APS (Nm)

Actuator type	No. springs	Md min	Md max	Pneumatic applied torque Md (Nm) at minimum control pressure Pst (bar)																					
				Md F (Nm)		2		2,5		3		3,5		4		4,5		5		5,5		6		7	
				min	max	min	max	min	max	min	max	min	max	min	max	min	max	min	max	min	max	min	max	min	max
APS - 270	4	448	629,6	540	722	833	1015																		
	5	560	787	383	610	676	903	968	1195																
	6	672	943			520	791	812	1083	1105	1376														
	7	783	1101					654	972	947	1265	1239	1557												
	8	895	1258							790	1153	1082	1445	1375	1738										
	9	1007	1416									924	1333	1217	1626	1509	1918								
	10	1119	1572											1061	1514	1353	1806	1646	2099						
	11	1231	1730													1195	1694	1488	1987	1780	2279				
	12	1342	1887															1331	1876	1623	2168	2208	2753		

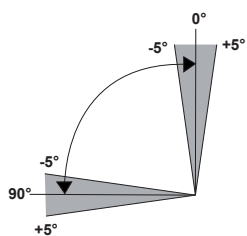
Weight, air consumption, switch times: Double-acting, type APD, single-acting, type APS

Actuator type	Weight (kg)	Volume (l)	Switch time (sek.)	Ambient temperature	
				Standard	High-temp.
APD -270	97	31	20	-35 bis +80°C	-15° bis +150°C
APS -270	118	17	19		

*Quoted switch times are guidelines for a double-stroke at 5 bar control pressure and at 50% rated loading.
 With high valve actuating speeds potentially dangerous large braking forces can arise in the actuator end positions.
 Tip: Throttle the exhaust air or select a larger actuator.

Ordering code

APD - 270 / 090 - V46 - H
APS - 270 / 090 - 06* - V46 - H
 * The number of springs (4 up to 12 pcs.) must be matched to the control pressure beforehand.



End position adjustment

The pivoting angle can be adjusted in both end positions with the adjustment screws in a pressure free condition by between +5° and -5°. The lock-nuts ensure that the new position is secured.