

Data sheet, pneumatic actuator APD / APS – 210

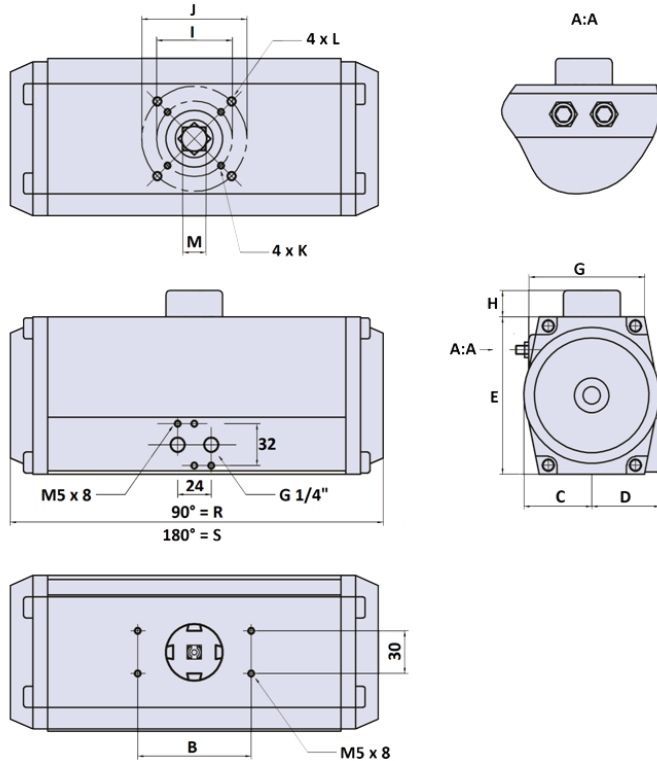


Table of dimensions

Actuator type	B	C	D	E	G	H	I	J	K	L	M x depth	R	S
APD/APS-210	130	113	111	255	164,5	30	-	140	-	M16x25	36x40	532	760

Torque-table double-acting, type APD (Nm)

Actuator type	Control pressure Pst (bar)											
	2	2,5	3	3,5	4	4,5	5	5,5	6	7	8	
APD - 210	526	658	789	921	1052	1184	1315	1447	1578	1841	2104	

Torque-table single-acting, type APS (Nm)

Actuator type	No. springs	Md F (Nm)	Pneumatic applied torque Md (Nm) at minimum control pressure Pst (bar)																			
			2		2,5		3		3,5		4		4,5		5		5,5		6		7	
			min	max	min	max	min	max	min	max	min	max	min	max	min	max	min	max	min	max	min	max
APS - 210	4	208 288	238	318	369	449																
	5	260 360	166	266	297	397	429	529														
	6	313 432			225	344	357	476	488	607												
	7	365 503					286	424	417	555	549	687										
	8	417 575							345	503	477	635	608	766								
	9	469 647									405	583	536	714	668	846						
	10	521 719											464	662	596	794	727	925				
	11	573 791													524	742	655	873	787	1005		
	12	625 863															583	821	715	953	978	1216

Weight, air consumption, switch times: Double-acting, type APD, single-acting, type APS

Actuator type	Weight (kg)	Volume (l)	Switch time (sek.)	Ambient temperature	
				Standard	High-temp.
APD -210	46,80	17,60	9,80	-35 bis +80°C	-15° bis +150°C
APS -210	54,8	7,60	8,50		

*Quoted switch times are guidelines for a double-stroke at 5 bar control pressure and at 50% rated loading.
 With high valve actuating speeds potentially dangerous large braking forces can arise in the actuator end positions.
 Tip: Throttle the exhaust air or select a larger actuator.

Ordering code

APD - 210 / 090 - V36 - H
APS - 210 / 090 - 06* - V36 - H
 * The number of springs (4 up to 12 pcs.) must be matched to the control pressure beforehand.

